

# CorePro LED Lamps

13PAR38/COREPRO/F25 4000 AF 6/1

Philips CorePro LED Lamps provide an energy efficient lighting solution



## Product data

### • General Characteristics

Cap-Base	E26
Bulb	PAR38 [PAR38 mm]
Rated Avg. Life (Hours)	25000 hr
Rated Lifetime (years)	22.8 an

### • Light Technical Characteristics

Color Code	CW
Color Designation	Cool White
Beam Angle	25 D
Beam Description	25D [Medium beam]
Correlated Color Temperature	4000 K
Approximate Lumens	830 Lm
Approx. MBCP	3200 cd
CRI	84
Luminous Efficacy Lamp	63.85 Lm/W
Color Temp. (Kelvin)	4000 K [CCT 4000K]
Rated Luminous Flux	830 Lm

### • Electrical Characteristics

Wattage	13 W
Wattage Technical	13 W
Voltage	120 V
Line Frequency	60 Hz

Power Factor	0.7 -
Lamp Current mA	119 mA
Dimmable	No
Wattage Equivalent	75 W
Starting Time	0.5 s

### • Measuring Conditions

Switching cycle	20000X
-----------------	--------

### • Product Dimensions

Overall Length C	130 mm
Diameter D	120 mm

### • Product Data

Product number	426346
Full product name	13PAR38/COREPRO/F25 4000 AF 6/1
Short product name	13PAR38/COREPRO/F25 4000 AF 6/1
Pieces per Sku	1
eop_pck_cfg	6
Skus/Case	6
Bar code on pack	46677426347
Bar code on case	50046677426342
Logistics code(s)	929000232004
eop_net_weight_pp	0.370 kg

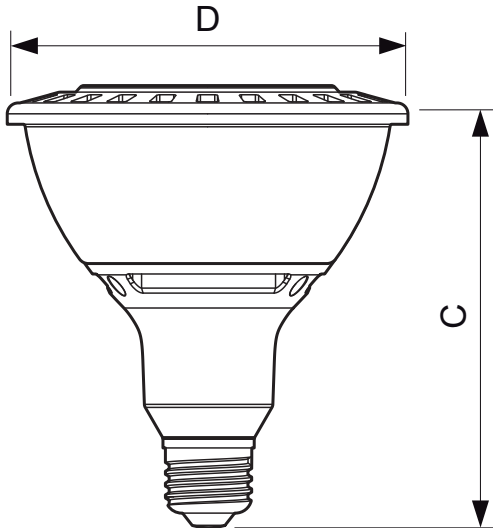


# PHILIPS

## Warnings and Safety

- Suitable for use in damp locations.
- Not for use in totally enclosed luminaires.

## Dimensional drawing



E26

- Before replacing, turn off power and let lamp cool to avoid electrical shock or burn.

## 13PAR38/COREPRO/F25 4000 AF 6/1

Product	C (Norm)	C1 (Max)	D (Norm)	D1 (Norm)
LED 13W E26 4000K PAR38 25D	130	-	120	-



© 2014 Koninklijke Philips N.V. (Royal Philips)  
All rights reserved.

Specifications are subject to change without notice. Trademarks are the property of Koninklijke Philips N.V. (Royal Philips) or their respective owners.

[www.philips.com/lighting](http://www.philips.com/lighting)

2014, March 30  
data subject to change