



Replace conventional halogen bulbs. Dimmable 80CRI lamps that work across many common dimmers in the field.

Color: White

Weight: 0.2 lbs

Project:

Type:

Prepared By:

Date:

Driver Info

Watts 13.50W
 Color Temp 2700K (Soft White)
 Lumens 1,100
 Efficacy 81.5 LPW
 Color Accuracy 80 CRI
 L70 Accuracy 15,000

LED Info

Input Voltage 120V
 Power Factor 0.7
 Flicker N/A
 THDi N/A
 R9

Technical Specifications

Technical Specifications

Product Type:

A-Line

Bulb Shape:

A19

Wattage:

13.5W

Wattage Equivalency:

75W Incandescent

Typical Lumen Output:

1100

Efficacy:

82 lm/W

Color Temperature:

2700K Soft White

CRI:

80

Base Type:

E26

L70 Lifespan:

15,000 hours

Operating Temperature:

-20°C - 45°C

Dimmable:

Yes, down to 10%

Beam Angle:

230°

Warranty:

3-Year, No-Compromise Warranty

For Use in Emergency Fixtures:

No

For Use Outdoors in Open Fixtures:

No

Electrical Characteristics

Input Voltage:

120V

Power Factor:

0.7

Operating Frequency:

60 Hz

Technical Specifications (continued)

Electrical Characteristics

Input Current @ 120V:
183mA

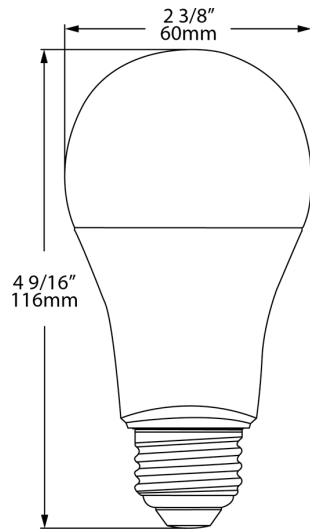
Listings

UL Listed:
Yes

CEC Status:

Not lawful for sale in California

Dimensions



Features

- REPLACE conventional halogen and incandescent bulbs
- ENERGY SAVINGS - Save up to 85% on energy
- DAMP RATED - Suitable for damp locations
- 15,000-HOUR LIFESPAN - Last up to 13.7 years at 3 hours per day
- ENCLOSED FIXTURE RATED - May be used in both enclosed and open fixtures
- SHATTERPROOF - Plastic lamps for rugged applications
- 80 CRI - Ideal for general lighting applications
- DIMMABLE - Compatible with most common dimmer models