



Replace conventional halogen bulbs. Dimmable 80CRI lamps that work across many common dimmers in the field.

Color: White

Weight: 0.2 lbs

**Project:**

**Type:**

**Prepared By:**

**Date:**

**Driver Info**

**LED Info**

Watts	13.50W	Input Voltage	120V
Color Temp	4000K (Cool White)	Power Factor	0.7
Lumens	1,155	Flicker	N/A
Efficacy	85.6 LPW	THDi	N/A
Color Accuracy	80 CRI	R9	
L70 Accuracy	15,000		

## Technical Specifications

**Technical Specifications**

**Product Type:**

A-Line

**Bulb Shape:**

A19

**Wattage:**

13.5W

**Wattage Equivalency:**

75W Incandescent

**Typical Lumen Output:**

1155

**Efficacy:**

82 lm/W

**Color Temperature:**

4000K Cool White

**CRI:**

80

**Base Type:**

E26

**L70 Lifespan:**

15,000 hours

**Operating Temperature:**

-20°C - 45°C

**Dimmable:**

Yes, down to 10%

**Beam Angle:**

230°

**Warranty:**

3-Year, No-Compromise Warranty

**For Use in Emergency Fixtures:**

No

**For Use Outdoors in Open Fixtures:**

No

**Electrical Characteristics**

**Input Voltage:**

120V

**Power Factor:**

0.7

**Operating Frequency:**

60 Hz

## Technical Specifications (continued)

### Electrical Characteristics

**Input Current @ 120V:**  
183mA

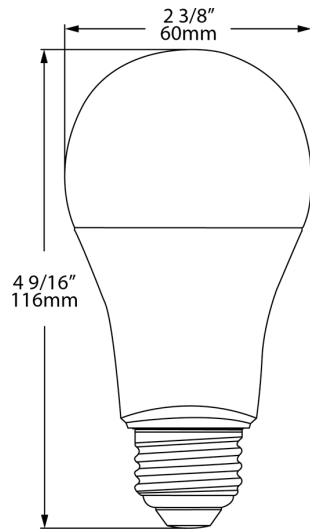
### Listings

**UL Listed:**  
Yes

### CEC Status:

Not lawful for sale in California

## Dimensions



## Features

- REPLACE conventional halogen and incandescent bulbs
- ENERGY SAVINGS - Save up to 85% on energy
- DAMP RATED - Suitable for damp locations
- 15,000-HOUR LIFESPAN - Last up to 13.7 years at 3 hours per day
- ENCLOSED FIXTURE RATED - May be used in both enclosed and open fixtures
- SHATTERPROOF - Plastic lamps for rugged applications
- 80 CRI - Ideal for general lighting applications
- DIMMABLE - Compatible with most common dimmer models