



<b>Project:</b>	<b>Type:</b>
<b>Prepared By:</b>	<b>Date:</b>

## Technical Specifications

### Other

#### Description:

The ceiling backbox is perfect for adding sensors or making splices to any pendant fixture. Surface mounts over any shape box and covers unsightly stains or gaps. Five (1/2") conduit entries enable wiring directly from the back or through the sides using surface conduit.

#### Listings

#### UL Listing:

Suitable for wet locations. Covered Ceiling Mount Only. When used with RAB GPLED fixtures.

#### Construction

#### Housing:

Precision die-cast aluminum

#### Mounting:

Pendant provided by others. Threads are 1/2 inch NPS. Stem insertion depth not to exceed 5/8 inch. Lock screw provided on fixture.

#### Plugs:

Die cast aluminum with clean threads and gasket for weatherproof seal.

#### Gaskets:

High-temperature silicone

#### Finish:

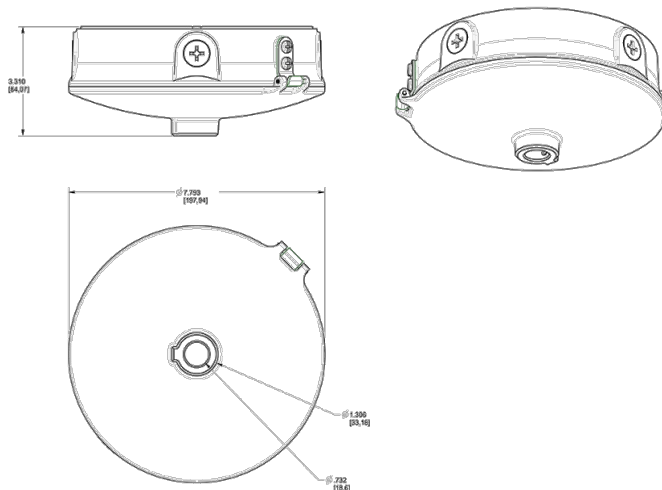
Our environmentally friendly polyester powder coatings are formulated for high-durability and long-lasting color, and contains no VOC or toxic heavy metals.

#### Electrical

#### Wiring:

Five holes. One on the back of the box, four on the sides for using surface conduit.

## Dimensions



## Features

Great for adding a sensor to RAB LED garage fixtures

Surface mounts over any shape box

Covers unsightly stains and gaps

Conduit entries enable wiring directly from the back or through the sides using surface conduit