

HG1A

product

Guard protects lamp from damage and vandalism. Die cast aluminum. Fits both H101 and HB101. Can be combined with HH1 Hood or used alone.

Color: Bronze

Weight: 0.4 lbs

Project:

Type:

Prepared By:

Date:

Technical Specifications

Construction

Guard:

Fits both H101 and HB101.

Material:

Die cast aluminum. No glass with guard.

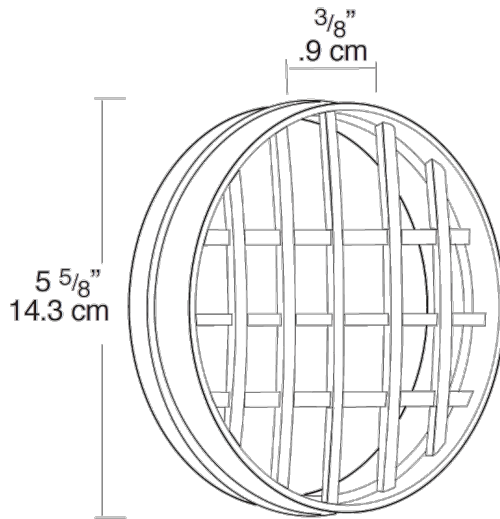
Hood:

Can also be combined with HH1 Hood.

Stealth Accessory:

Guard also fits RAB's Stealth Bullet and Bell Flood Kits. .

Dimensions



Features

Die cast aluminum

Protects lamp from damage and vandalsim

Fits H101 and HB101