

# HS90-W



<b>Project:</b>	<b>Type:</b>
<b>Prepared By:</b>	<b>Date:</b>

## Technical Specifications

### Other

#### Description:

Hang straight 90° 1/2" NPS swivel mount sloped ceiling.

#### Maximum Weight:

HS90 suspends a light fixture with a maximum weight of 70 lbs.

### Construction

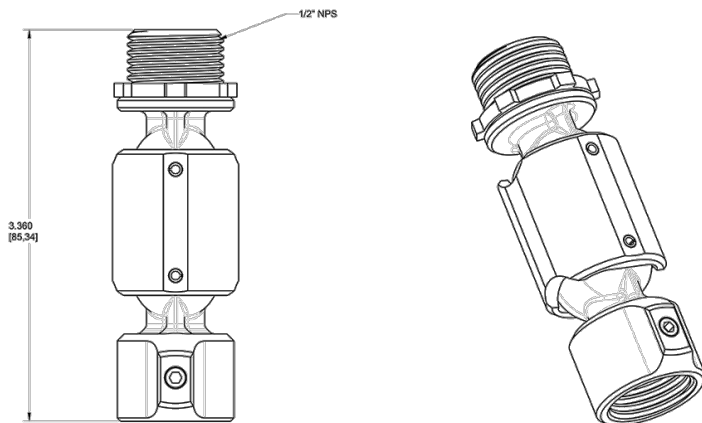
#### Material:

Precision die cast aluminum.

#### Finish:

Our environmentally friendly polyester powder coatings are formulated for high-durability and long-lasting color, and contains no VOC or toxic heavy metals.

## Dimensions



## Features

Available in bronze and white and 45 or 90 degree angles

Fits 1/2" NPS