



Economical low-profile 13W LED floodlight delivers a wide 6H X 6V beam distribution and replaces 75 Watt halogen BR30.

Color: Black

Weight: 1.3 lbs

<b>Project:</b>	<b>Type:</b>
<b>Prepared By:</b>	<b>Date:</b>

Driver Info		LED Info	
Type:	Constant	Watts:	13W
120V:	0.11A	Color Temp:	4000K
208V:	N/A	Color Accuracy:	83 CRI
240V:	N/A	L70 Lifespan:	60000
277V:	N/A	Lumens:	1,138
Input Watts:	13W	Efficacy:	87 LPW
Efficiency:	N/A		

## Technical Specifications

### Listings

#### UL Listing:

Suitable for wet locations. Suitable for mounting within 4 feet of the ground.

#### ENERGY STAR® V2.0:

This product is ENERGY STAR® V2.0 qualified.

#### IESNA LM-79 & LM-80 Testing:

RAB LED luminaires have been tested by an independent laboratory in accordance with IESNA LM-79 and LM-80, and have received the Department of Energy "Lighting Facts" label.

### Electrical

#### Driver:

120V driver, 50/60/ Hz, 0.11A, 114mA

#### THD:

12% at 120V

#### Power Factor:

99.3% at 120V

### Optical

#### NEMA Type:

6H x 6V Beam Spread

### Construction

#### Cold Weather Starting:

The minimum starting temperature is -40°F (-40°C)

#### Maximum Ambient Temperature:

Suitable for use in 104°F (40°C) ambient temperatures

#### IP Rating:

Ingress Protection rating of IP66 for dust and water

#### Housing:

Precision die-cast aluminum housing, lens frame and mounting arm

#### Reflector:

Vacuum-metalized polycarbonate

#### Lens:

Diffused glass for smooth, even light distribution

#### Mounting:

Heavy-duty mounting arm with "O" ring seal, wire seal plug & stainless steel screw

#### Gaskets:

High-temperature silicone gaskets

#### Finish:

Our environmentally friendly polyester powder coatings are formulated for high-durability and long-lasting color, and contain no VOC or toxic heavy metals.

#### Green Technology:

Mercury and UV free. RoHS compliant components. Polyester powder coat finish formulated without the use of VOC or toxic heavy metals.

### LED Characteristics

#### LEDs:

Long-life, high-efficiency surface mount LEDs

#### Color Stability:

RAB LEDs exceed industry standards for chromatic stability.

#### Color Uniformity:

RAB's range of CCT (Correlated Color Temperature) follows the guidelines of the American National Standard for Specifications for the Chromaticity of Solid State Lighting (SSL) Products, ANSI C78.377-2011.

### Other

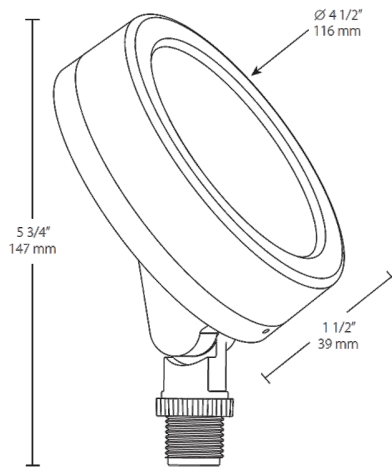
#### Equivalency:

The LESLIE Economy Bullet is equivalent to 75W halogen BR30 wide flood.

#### 5 Yr Limited Warranty:

Fixture operation and paint finish are covered for a period of 5 years.

## Dimensions



## Features

- Equivalent to 75W halogen BR30 wide flood
- Wide 6H x 6V distribution
- Diffused lens for smooth, even light distribution
- Energy Star® certified
- Very low profile
- Adjustable knuckle
- 60,000-Hour LED lifespan

## Ordering Matrix

Family	Watts	Color Temp	Finish
LES	13	N	B
	13 = 13W	<b>Blank</b> = 5000K (Cool) <b>N</b> = 4000K (Neutral) <b>Y</b> = 3000K (Warm)	<b>Blank</b> = Bronze <b>B</b> = Black <b>VG</b> = Verde Green <b>W</b> = White