



Project:	Type:
Prepared By:	Date:

Technical Specifications

Performance

Product Type:

Lightcloud Blue Accessories

Description:

The Lightcloud Blue Nano is a versatile, compact accessory that expands the available features offered with Lightcloud Blue and RAB's compatible devices. Connecting the Nano to a Lightcloud Blue system improves features such as SmartShift circadian lighting and schedules and enables smart speaker integration.

Construction

Material:

Plastic

Shape:

Square

Electrical

Operating Frequency:

DC

Other

Warranty:

RAB warrants that our LED products will be free from defects in materials and workmanship for a period of three (3) years from the date of delivery to the end user, including coverage of light output, color stability, driver performance and fixture finish. RAB's warranty is subject to all terms and conditions found at rablighting.com/warranty.

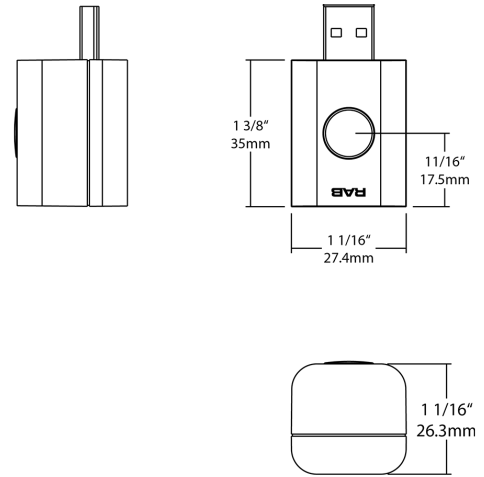
Buy American Act Compliance:

RAB values USA manufacturing! Upon request, RAB may be able to manufacture this product to be compliant with the Buy American Act (BAA). Please contact customer service to request a quote for the product to be made BAA compliant.

Case and Pallet Dimensions

	QTY	LENGTH (in)	WIDTH (in)	HEIGHT (in)
CASE	147	23.68	13.08	11.07
PALLET	3	47.36	39.24	44.57

Dimension



Features

Direct Connect to the Lightcloud Blue mobile app via Bluetooth, no Gateway or Hub required

Connect to 2.4GHz Wi-Fi connection to enable accurate time keeping for improved SmartShift circadian lighting, schedules and compatibility select smart speakers

SmartShift circadian lighting syncs white color tuning with the local sunrise and sunset to get your body back in sync

Manually control a Site On/Off by clicking the button once or double click to change color temperature

Ordering Matrix

Family	Lightcloud Blue
NANO	/LCB

/LCB = Lightcloud Blue