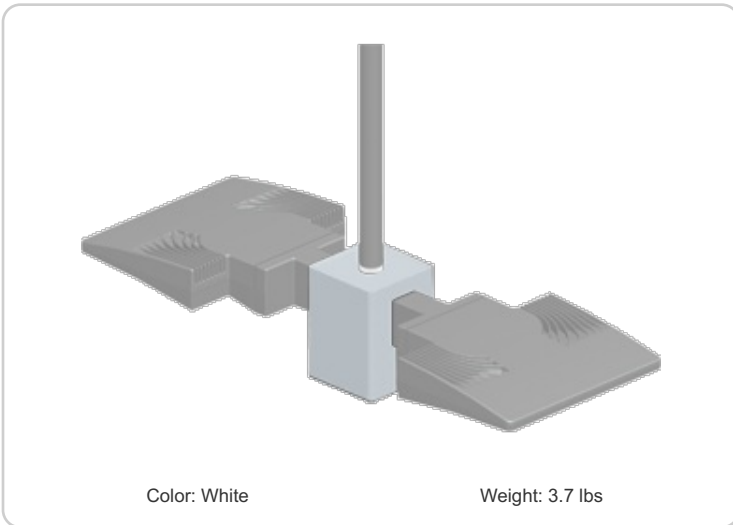


PAD2W



Color: White

Weight: 3.7 lbs

Project:	Type:
Prepared By:	Date:

Technical Specifications

Other

Description:

Pendant 2X adaptor 1/2" NPS.

Dimensions

