



<b>Project:</b>	<b>Type:</b>
<b>Prepared By:</b>	<b>Date:</b>

**Technical Specifications**

**Listings**

**UL Listing:**

Suitable for wet locations.

**Electrical**

**Sockets:**

Porcelain with all copper current carrying components and spring loaded center contact.

**Construction**

**Swivels:**

Fully adjustable with sure-grip locknuts. 1/2" NPS threaded arm with locking swivel fits all standard mounting covers.

**Housings:**

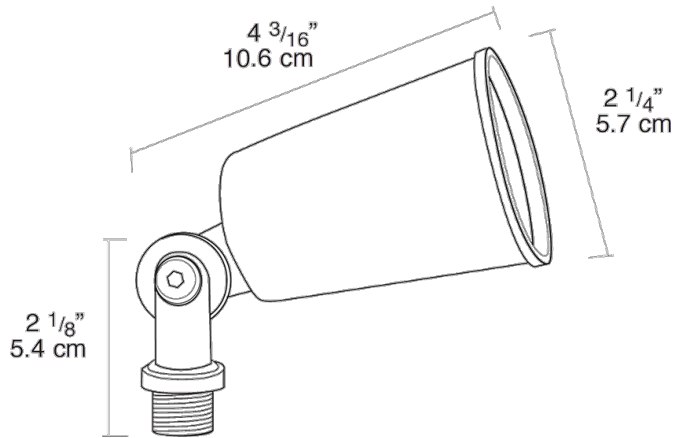
Precision die cast aluminum. Tuffy flood is molded plastic.

**Optical**

**Lamp:**

Medium base PAR38 lamps up to 150 watts. lamp not supplied.

**Dimensions**



**Features**

- Molded, high temperature silicone gasket
- EZ Grip locknut matches fixture finish and can be adjusted with fingers, pliers or a screwdriver
- Rugged heavy sand die cast aluminum housing with durable powder coating
- Sockets have all copper current carrying components
- Fully adjustable swivel with sure-grip locks
- Mounting arms have 1/2" threads