



Super Stealth 360 sensor with twin precision die cast H101 deluxe shielded Bell floods pre-wired and assembled on universal CU4 EZ plate. Accepts PAR-38 lamps, 150 Watt max. Lamps not supplied.

Color: Bronze

Weight: 4.2 lbs

Project:	Type:
Prepared By:	Date:

Technical Specifications

Listings

UL Listing:

Suitable for wet locations.

Electrical

Voltage:

120 volts AC 60 Hz.

Power Consumption:

1W

Surge Protection:

Withstands up to 6000 volts.

Wall Switch Manual Override:

Two flip logic prevents activation by momentary power outages. Override resets to auto at dawn. No extra wiring needed.

RF Immunity:

Circuits fully shielded for maximum radio frequency immunity.

Switching Capacity:

8 amps, 1000 watts incandescent @ 120 volts.

Sensor Characteristics

Time Adjustment:

5 seconds to 12 minutes.

Wide Sensitivity Control:

Adjustable from 100% to 30%.

Evening Timer:

Keeps lights on for 1-8 hours after dusk. Then sensor is motion activated until dawn.

Set it and forget it:

STL360's full coverage pattern reduces need for aiming and adjustment.

Advanced Detection Logic:

Minimizes false triggers.

Detection:

Senses 180° and 360° down for Total Detection.

LED Characteristics

Scanning LEDs:

3 LEDs continually scan back-and-forth.

Color Matched Lens:

Dark lens with bronze units, white lens with white units.

Construction

Temperature Compensation:

Sensitivity adjusted automatically for consistent detection in hot and cold ambient temperatures.

Mounting:

CU4 plate allows the sensor to be mounted under a soffit.

Lens Masks:

Customized press apply lens mask included to reduce coverage easily.

Other

Photoelectric Control:

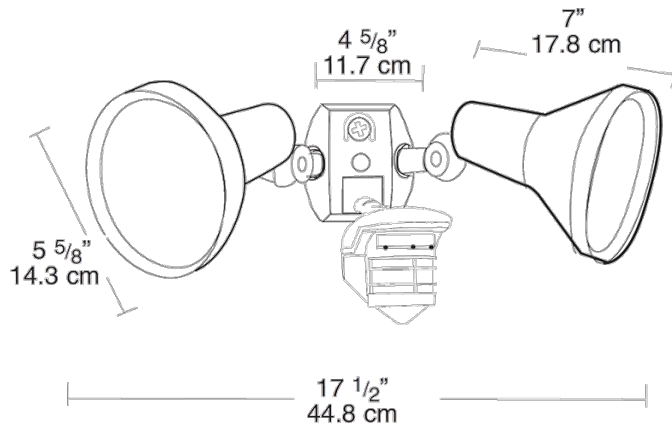
Deactivates lights during daylight. Fully adjustable for 24 hour operation or custom applications.

Warranty:

10 year sensor warranty.

STL360H

Dimensions



Features

- Senses 180° out + 360° down for total detection
- Scanning LED's
- Radio frequency immunity
- 6000 volt surge protection
- 1000 Watt switching capacity
- Pre-wired and pre-assembled on CU4 universal EZ plate
- Protected manual override with auto reset
- Can be wired in parallel