

product

The Turtle In-Use weatherproof cover protects in-use electrical devices in wet locations. Strong and durable enough to last in all weather conditions, year round. Clear cover with colored back plate.

Color: Black

Weight: 0.4 lbs

**Project:**

**Type:**

**Prepared By:**

**Date:**

**Technical Specifications**

**Listings**

**UL Listing:**

Suitable for wet locations. Fixtures with ground wire must be used.

**Other**

**Materials:**

Post PVC Cap ABS In-Use Cover Clear PVC MP Adapter ABS Junction Box Polycarbonate.

**Patents:**

Pat. D533,510.

**Country of Origin:**

Designed by RAB in New Jersey and assembled in Taiwan.

**Trade Agreements Act Compliant:**

This product is a product of Taiwan and a "designated country" end product that complies with the Trade Agreements Act.

**GSA Schedule:**

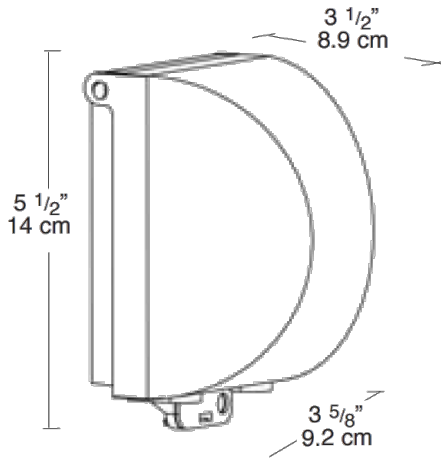
Suitable in accordance with FAR Subpart 25.4.

**Construction**

**Set Screw:**

Locks cap to post and prevents rotation.

**Dimensions**



**Features**

- Clear PVC plastic turtle cover with lockable latch
- Fits all standard rectangular covers
- Durable molded ABS Post Adapter
- Close up plug included
- Knockout holes in bottom of Post Adapter for easy wiring
- Mighty Post Adapter extends post height to keep outlets about plants and snow
- Add an electrical box to your Might Post and Lawn Light combo