



General purpose lighting that's pocket friendly.

Color: White

Weight: 7.3 lbs

Project:	Type:
Prepared By:	Date:

Driver Info		LED Info	
Type	Constant Current	Watts	87W
120V	0.74A	Color Temp	4000K (Neutral)
208V	0.42A	Color Accuracy	82 CRI
240V	0.37A	L70 Lifespan	50,000 Hours
277V	0.34A	Lumens	11,533
Input Watts	89.9W	Efficacy	128.3 lm/W

Technical Specifications

Compliance

UL Listed:

Suitable for wet locations. Suitable for ground mounting.

IESNA LM-79 & LM-80 Testing:

RAB LED luminaires and LED components have been tested by an independent laboratory in accordance with IESNA LM-79 and LM-80.

DLC Listed:

This product is listed by Design Lights Consortium (DLC) as an ultra-efficient premium product that qualifies for the highest tier of rebates from DLC Member Utilities. Designed to meet DLC 5.1 requirements.

DLC Product Code: PG2VIXQA

Electrical

Driver:

Constant Current, 120-277V, 50/60 Hz, 120V: 0.74A, 208V: 0.42A, 240V: 0.37A, 277V: 0.34A

Dimming Driver:

Driver includes wiring for 0-10V dimming systems. Dim as low as 10%.

THD:

3.36% at 120V, 4.56% at 277V

Power Factor:

99.7% at 120V, 96.2% at 277V

Note:

All values are typical (tolerance +/- 10%)

Optical

NEMA Type:

NEMA Beam Spread of 7H x 7V

LED Characteristics

LEDs:

Long-life, high-efficacy, surface-mount LEDs

Color Uniformity:

RAB's range of Correlated Color Temperature follows the guidelines of the American National Standard for Specifications for the Chromaticity of Solid State Lighting (SSL) Products, ANSI C78.377-2017.

Construction

IP Rating:

Ingress protection rating of IP65 for dust and water

EPA:

0.9

Cold Weather Starting:

Minimum starting temperature is -40°C (-40°F)

Technical Specifications (continued)

Construction

Maximum Ambient Temperature:

Suitable for use in up to 40°C (104°F)

Housing:

Precision die-cast aluminum

Mounting:

Trunnion with tilt angle in 30° increments

Lens:

Tempered glass

Finish:

Formulated for high durability and long-lasting color

Green Technology:

Mercury and UV free. RoHS-compliant components.

Performance

Lifespan:

50,000-Hour LED lifespan based on IES LM-80 results and TM-21 calculations

Other

5 Yr Limited Warranty:

The RAB 5-year, limited warranty covers light output, driver performance and paint finish. RAB's warranty is subject to all terms and conditions found at rablighting.com/warranty.

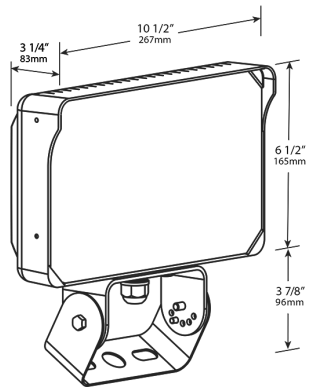
Trade Agreements Act Compliant:

This product is a product of Cambodia and a "designated country" end product that complies with the Trade Agreements Act

Buy American Act Compliance:

RAB values USA manufacturing! Upon request, RAB may be able to manufacture this product to be compliant with the Buy American Act (BAA). Please contact customer service to request a quote for the product to be made BAA compliant.

Dimensions



Features

- Versatile, general-purpose floodlight
- 7H x 7V NEMA distribution
- 0-10V dimming
- IP65 rating protects against dust and water
- 50,000-Hour LED lifespan

Ordering Matrix

Family	Lumen Packages (values are nominal)	Mounting	CRI/Color Temp	Finish	Driver/Voltage	
X34	-	100L	T	-840	W	/U
	100L = 11,000 Lumens, 87W 150L = 18,000 Lumens, 130W 195L = 20,000 Lumens, 160W	SF = Slipfitter T = Trunnion	Blank = 80 CRI, 5000K -840 = 80 CRI, 4000K -830 = 80 CRI, 3000K	Blank = Bronze W = White	/U = 120-277V, 0-10V Dimming	