

UPHORIA™ PRO

LED PAR16 Lamps

Ushio America introduces new 90+ CRI Uphoria™ PRO LED PAR16 lamps which offer an energy saving alternative to 50W halogen lamps. With the fit, form, and function of traditional PAR16 GU10 based lamps, these 7W dimmable lamps have a unique optical design that delivers high candela.

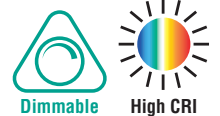
Ushio America is proud to stand behind these ENERGY STAR® certified LED lamps with a 3-year limited warranty.

The Uphoria PRO LED PAR16 lamps operate on 120V with a Soft White (2700K) or Warm White (3000K) color temperature in flood beam angles, and a Warm White (3000K) in a narrow flood beam angle.



FEATURES & BENEFITS:

- High Color Rendering (90+ CRI)
- Suitable for Use in Recessed Fixtures
- Direct Replacement for 50W Halogen PAR16 GU10 Lamps
- Smooth, Uniform Dimming
- COB for Crisper, Cleaner Shadows
- Damp Location Rated
- 86% Energy Saving
- Application Friendly: UV Free and IR Free
- Environmentally Friendly: Mercury Free, Lead Free & RoHS Compliant
- 25,0000 Hours Rated Life
- 3-Year Limited Warranty



APPLICATIONS:

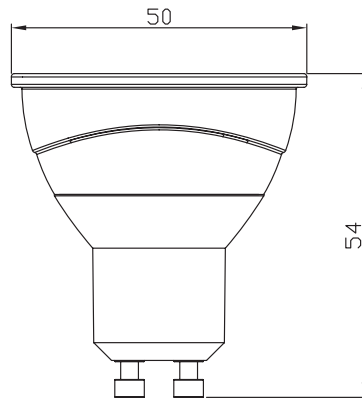
- Track Lighting
- Recessed Lighting
- Accent Lighting
- Art Gallery & Museum Lighting
- Hospitality Lighting
- Display Lighting

Qualifications:



USHIO

UPHORIA™ PRO LED PAR16



GU10 Base

Case Quantity: 10

| Watts (W) | Ordering Code | Lamp Description | Color | | | | CBCP* | CRI | Rated** (h) |
|-----------|---------------|--|-----------|----------|------------|--------------|-------|-----|-------------|
| | | | Volts (V) | Temp (K) | Beam Angle | Lumens* (lm) | | | |
| 7 | 1004433 | ★ UPHORIA PRO LED PAR16, NFL25, WW30, 90+CRI | 120 | 3000 | 25° | 480 | 2300 | 90+ | 25,000 |
| 7 | 1004432 | ★ UPHORIA PRO LED PAR16, FL40, SW27, 90+CRI | 120 | 2700 | 40° | 480 | 1090 | 90+ | 25,000 |
| 7 | 1004430 | ★ UPHORIA PRO LED PAR16, FL40, WW30, 90+CRI | 120 | 3000 | 40° | 480 | 1100 | 90+ | 25,000 |

* Photometric data is based on LM-79 tests.

★ **ENERGY STAR® Certified**

** Average life based on 70% lumen maintenance. LM-80 data available.

Electrical Specifications:

Driver: High Efficiency

Power Factor: > 0.90

Dimming: See www.ushio.com for dimmer compatibility options.

CAUTIONS:

Suitable for dry and damp locations.

Suitable for use in recessed fixtures.

Not for use in totally enclosed fixtures.

Not for use in emergency or exit lighting.

CAUTION:

Lamp may not be compatible with all dimmers. Check www.ushio.com to find up to date dimmer compatibility options. Use on only 120V 60Hz circuits. Do not open. No user serviceable parts inside. Suitable for damp locations. Use is not recommended where exposed to weather. Suitable for use in recessed fixtures. Not for use in enclosed fixtures. Reliable operating environment temperature is -4°F to 113°F. Lamp is not intended for use with emergency exit fixtures, emergency exit lights, photo controls or electric timers. Lamp complies with Part 15 of the FCC Rules. Operation is subject to the following two conditions: (1) device may not cause harmful interference, and (2) device must accept any interference received, including interference that may cause undesired operation.

UPHORIA™ PRO LED PAR16

Photometrics

Item# 1004433

| ø(ft) | H(ft) | E(fc) |
|-----------------------|-------|-------|
| 1.2 | 3.3 | 218.1 |
| 2.4 | 6.6 | 54.5 |
| 3.5 | 9.9 | 24.2 |
| 4.7 | 13.2 | 13.6 |
| 5.9 | 16.5 | 8.7 |
| 25° | | 7W |
| 7W PAR16, NFL25, WW30 | | |

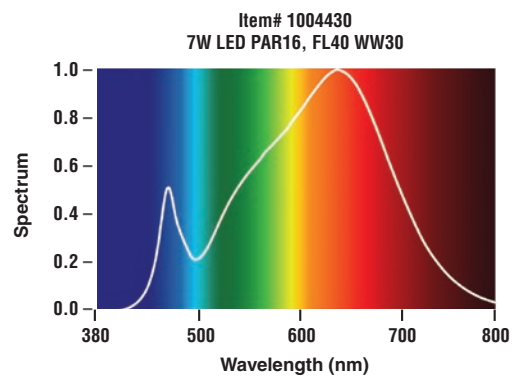
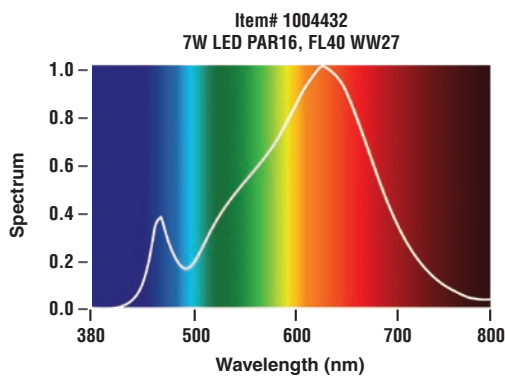
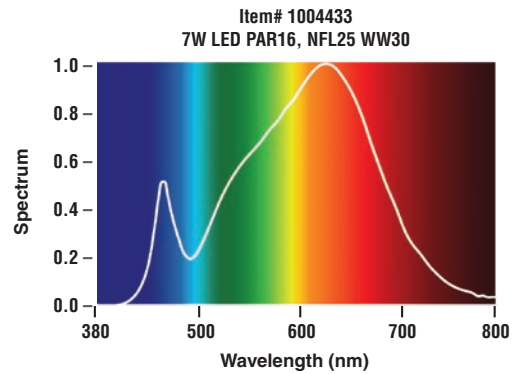
Item# 1004432

| ø(ft) | H(ft) | E(fc) |
|---------------------------|-------|-------|
| 2.1 | 3.3 | 104.5 |
| 4.2 | 6.6 | 26.1 |
| 6.3 | 9.9 | 11.6 |
| 8.4 | 13.2 | 6.5 |
| 10.4 | 16.5 | 4.2 |
| 40° | | 7W |
| 7W LED PAR16, FL40, WW 27 | | |

Item# 1004430

| ø(ft) | H(ft) | E(fc) |
|---------------------------|-------|-------|
| 2.1 | 3.3 | 106.3 |
| 4.2 | 6.6 | 26.6 |
| 6.3 | 9.9 | 11.8 |
| 8.5 | 13.2 | 6.6 |
| 10.6 | 16.5 | 4.3 |
| 40° | | 7W |
| 7W LED PAR16, FL40, WW 30 | | |

Spectral Distribution Charts



Lighting Facts

Item# 1004433
7W UPHORIA PRO LED PAR16, NFL25, WW30

Lighting Facts/ Faits d'éclairage

Per Bulb/Par l'ampoule

Brightness/Luminosité 480 lumens

**Estimated Yearly Energy Cost/
Coût énergétique annuel estimé** \$0.84

Based on 3 hrs/day, 11¢/kWh. Cost depends on rates and use. /Basé sur 3 heures/jour, 11¢/kWh. Les coûts dépendent du tarif et de la fréquence d'utilisation.



Life/Vie 22.8 years/ans
Based on 3 hrs/day. /Basé sur 3 heures/jour.

Light Appearance/Apparence de l'éclairage

Warm/Chaud Cool/Froid
3000K

Energy Used/Énergie utilisée 7 watts

Item# 1004432
7W UPHORIA PRO LED PAR16, FL40, SW27

Lighting Facts/ Faits d'éclairage

Per Bulb/Par l'ampoule

Brightness/Luminosité 480 lumens

**Estimated Yearly Energy Cost/
Coût énergétique annuel estimé** \$0.84

Based on 3 hrs/day, 11¢/kWh. Cost depends on rates and use. /Basé sur 3 heures/jour, 11¢/kWh. Les coûts dépendent du tarif et de la fréquence d'utilisation.



Life/Vie 22.8 years/ans
Based on 3 hrs/day. /Basé sur 3 heures/jour.

Light Appearance/Apparence de l'éclairage

Warm/Chaud Cool/Froid
2700K

Energy Used/Énergie utilisée 7 watts

Item# 1004430
7W UPHORIA PRO LED PAR16, FL40, WW30

Lighting Facts/ Faits d'éclairage

Per Bulb/Par l'ampoule

Brightness/Luminosité 480 lumens

**Estimated Yearly Energy Cost/
Coût énergétique annuel estimé** \$0.84

Based on 3 hrs/day, 11¢/kWh. Cost depends on rates and use. /Basé sur 3 heures/jour, 11¢/kWh. Les coûts dépendent du tarif et de la fréquence d'utilisation.



Life/Vie 22.8 years/ans
Based on 3 hrs/day. /Basé sur 3 heures/jour.

Light Appearance/Apparence de l'éclairage

Warm/Chaud Cool/Froid
3000K

Energy Used/Énergie utilisée 7 watts