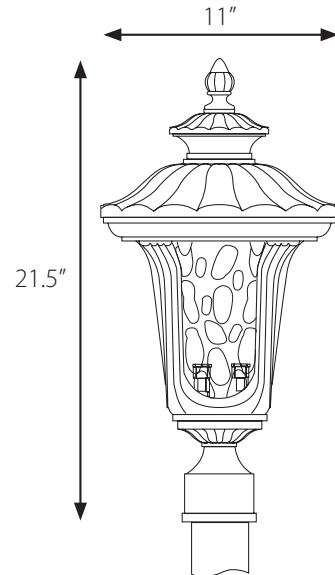


NUVO LIGHTING

Product Information



Beaumont

60-2009 Medium Post Lantern
Fruitwood / Amber Water Glass
(2) 60W Type B max. / Candelabra base
25-4021 Matching pier mount base

Dimensions:

Width: 11", Height: 21.5"

NUVO[®]
LIGHTING

Another innovative Satco Brand
www.nuvolighting.com



National Toll-Free: 1.800.43.SATCO (1.800.437.2826) www.satco.com
Corporate Offices: 110 Heartland Blvd., Brentwood, NY 11717 800.437.2826 631.243.2022 Fax 631.243.2027
Distribution Centers: New York, Florida, Texas, Washington, California, Puerto Rico



Like us!



Follow us!

© Copyright 2013, SATCO Products, Inc.