



Replace conventional halogen bulbs. Dimmable LED, 80 CRI.

Color: White

Weight: 0.1 lbs

Case Qty: 12

Project:	Type:
Prepared By:	Date:

Driver Info		LED Info	
Watts:	10W	Input Voltage:	120V
Color Temp:	3000K (Warm White)	Power Factor:	≥0.7
Lumens:	800	Flicker:	N/A
Efficacy:	80 LPW	THDi:	N/A
Color Accuracy:	80 CRI		
L70 Accuracy:	15,000		

Technical Specifications

Listings

UL Listed:

Yes

FCC:

Yes

Rohs:

Yes

ENERGY STAR V2.0:

This product is ENERGY STAR® Version 2.0 Certified

Description

Dimmable:

Yes

Lamp Type:

A Series Bulb

Bulb Type:

A19

Base Type:

E26, Medium Screw Base

Material:

Plastic

LED Characteristics

Lifespan:

15,000-hour LED lifespan based on IES LM-70 results

Other

Equivalent:

60W Incandescent A19

Warranty:

3 years

Optical

Beam Angle:

230°

Shipping Information

Case Dimensions:

15.4 x 5.2 x 4.9

Pallet Quantity of Pieces:

2016

Pallet Dimensions:

47.24 x 39.37 x 45.67

Construction

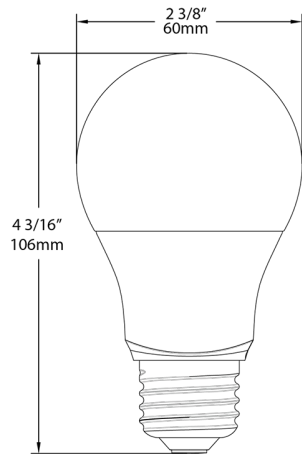
MOL:

4.17"

MOD:

2.36"

Dimensions



Features

A-line bulbs replace conventional halogen and incandescent bulbs

Produces 80 CRI, ideal for general lighting applications

Suitable for use in enclosed fixtures