



Replace conventional halogen bulbs. Dimmable LED, 80 CRI.

Color: White

Weight: 0.1 lbs

Case Qty: 12

<b>Project:</b>	<b>Type:</b>
<b>Prepared By:</b>	<b>Date:</b>

Driver Info		LED Info	
Watts:	10W	Input Voltage:	120V
Color Temp:	5000K (Daylight)	Power Factor:	≥0.7
Lumens:	840	Flicker:	N/A
Efficacy:	84 LPW	THDi:	N/A
Color Accuracy:	80 CRI		
L70 Accuracy:	15,000		

## Technical Specifications

### Listings

**UL Listed:**

Yes

**FCC:**

Yes

**Rohs:**

Yes

**ENERGY STAR V2.0:**

This product is ENERGY STAR® Version 2.0 Certified

### Description

**Dimmable:**

Yes

**Lamp Type:**

A Series Bulb

**Bulb Type:**

A19

**Base Type:**

E26, Medium Screw Base

**Material:**

Plastic

### LED Characteristics

**Lifespan:**

15,000-hour LED lifespan based on IES LM-70 results

### Other

**Equivalent:**

60W Incandescent A19

**Warranty:**

3 years

### Optical

**Beam Angle:**

230°

### Shipping Information

**Case Dimensions:**

15.4 x 5.2 x 4.9

**Pallet Quantity of Pieces:**

2016

**Pallet Dimensions:**

47.24 x 39.37 x 45.67

### Construction

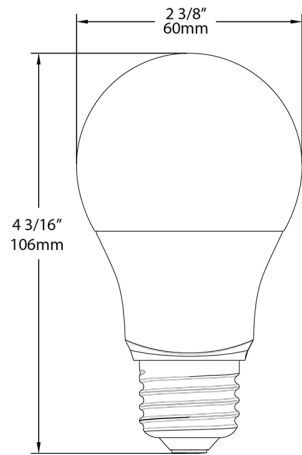
**MOL:**

4.17"

**MOD:**

2.36"

## Dimensions



## Features

A-line bulbs replace conventional halogen and incandescent bulbs

Produces 80 CRI, ideal for general lighting applications

Suitable for use in enclosed fixtures