



Replace conventional halogen and incandescent bulbs. Best value, non-dimmable lamps that are rated for enclosed fixtures.

Color: White

Weight: 0.3 lbs

Project:

Type:

Prepared By:

Date:

Driver Info

LED Info

Watts	16.00W	Input Voltage	120V
Color Temp	5000K (Daylight)	Power Factor	>0.7
Lumens	1,600	Flicker	N/A
Efficacy	100 LPW	THDi	N/A
Color Accuracy	80 CRI	R9	
L70 Accuracy	15,000		

Technical Specifications

Technical Specifications

Product Type:

A-Line

Bulb Shape:

A21

Wattage:

16W

Wattage Equivalency:

100W Incandescent

Typical Lumen Output:

1600

Efficacy:

100 lm/W

Color Temperature:

5000K Daylight

CRI:

80

Base Type:

E26

L70 Lifespan:

15,000 hours

Operating Temperature:

-25°C - 40°C

Dimmable:

No

Beam Angle:

230°

Warranty:

3-Year, No-Compromise Warranty

For Use in Emergency Fixtures:

No

For Use Outdoors in Open Fixtures:

No

Electrical Characteristics

Input Voltage:

120V

Power Factor:

>0.7

Operating Frequency:

60 Hz

Technical Specifications (continued)

Listings

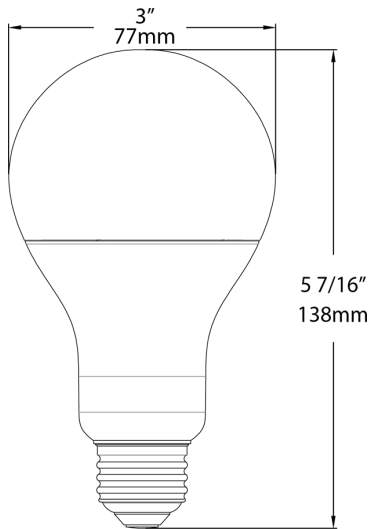
UL Listed:

Yes

CEC Status:

Not lawful for sale in California

Dimensions



Features

REPLACE conventional halogen and incandescent bulbs

PRODUCES 80 CRI, ideal for general lighting applications

ENCLOSED FIXTURE RATED: May be used in both enclosed and open fixtures

DAMP RATED: Suitable for damp locations

SHATTERPROOF: Plastic constructed bulbs ideal for rugged applications