



<b>Project:</b>	<b>Type:</b>
<b>Prepared By:</b>	<b>Date:</b>

Driver Info		LED Info	
Type:	Constant Current	Watts:	78W
120V:	0.82A	Color Temp:	5100K
208V:	0.52A	Color Accuracy:	68 CRI
240V:	0.45A	L70 Lifespan:	100000
277V:	0.4A	Lumens:	6,322
Input Watts:	96W	Efficacy:	66 LPW
Efficiency:	81%		

## Technical Specifications

### Listings

#### UL Listing:

Suitable for damp locations with cord and hook.  
Suitable for wet locations with 3/4" pendant stem.  
Covered ceiling mount only.

#### IESNA LM-79 & LM-80 Testing:

RAB LED luminaires have been tested by an independent laboratory in accordance with IESNA LM-79 and LM-80, and have received the Department of Energy "Lighting Facts" label.

### LED Characteristics

#### LEDs:

Three multi-chip, 26W high-output, long-life LEDs.

#### Lifespan:

100,000-hour LED lifespan based on IES LM-80 results and TM-21 calculations.

#### Color Accuracy (CRI):

68 CRI

#### Correlated Color Temp. (Nominal CCT):

5100K

#### Color Consistency:

7-step MacAdam Ellipse binning to achieve consistent fixture-to-fixture color.

#### Color Stability:

LED color temperature is warranted to shift no more than 200K in CCT over a 5 year period.

#### Color Uniformity:

RAB's range of CCT (Correlated Color Temperature) follows the guidelines of the American National Standard for Specifications for the Chromaticity of Solid State Lighting (SSL) Products, ANSI C78.377.2011.

### Electrical

#### Drivers (3):

Constant Current, 720mA, Class 2 with 6kV surge protection, 100-277VAC, 50/60 Hz.

#### THD:

13% at 120V

#### Input Watts:

96

#### Dimming Driver:

Driver includes dimming control for 0-10V dimming systems. Requires separate 0-10V DC dimming circuit. Dims as low as 10%.

### Optical

#### Output Lumens:

6322

#### Fixture Efficacy:

66

### Construction

#### Ambient Temperature:

AISLED will operate from -40°C (-40°F) to 55°C (131°F).

#### Thermal Management:

Superior thermal management with external air-flow fins

#### Housing:

Precision die-cast aluminum housing and door frame with 3-foot 600V power cord.

### Mounting:

Heavy-duty 3/4" NPS hook and 3 foot safety chain.

#### Recommended Mounting Height:

25 ft.

#### Lens:

Tempered glass.

#### Reflector:

Specular vacuum metallized polycarbonate. AISLED78 reflector provides superior rectangular distribution pattern specifically designed for aisle lighting.

#### Gaskets:

High-temperature silicone

#### Finish:

Our environmentally friendly polyester powder coatings are formulated for high-durability and long-lasting color, and contains no VOC or toxic heavy metals.

#### Green Technology:

Mercury and UV free. RoHS compliant components. Polyester powder coat finish formulated without the use of VOC or toxic heavy metals.

### Other

#### Equivalency:

AISLED replaces 250 Watt metal halide one-for-one, and is equivalent to 4 lamp T8 fixtures.

## Technical Specifications (continued)

### Other

#### California Title 24:

See AISLED78/BL for a 2013 California Title 24 compliant product. Any additional component requirements will be listed in the Title 24 section under technical specifications on the product page.

#### Patents:

The design of the AISLED™ is protected by patents pending in US, Canada, China, Taiwan and Mexico.

#### Accessories:

Available accessories include protective polycarbonate shield and wire guards, replacement lens and doorframe, and an occupancy sensor.

#### Country of Origin:

Designed by RAB in New Jersey and assembled in the USA by RAB's IBEW Local 3 workers.

#### Buy American Act Compliant:

This product is a COTS item manufactured in the United States, and is compliant with the Buy American Act.

#### Recovery Act (ARRA) Compliant:

This product complies with the 52.225-21 "Required Use of American Iron, Steel, and Manufactured Goods-- Buy American Act-- Construction Materials (October 2010).

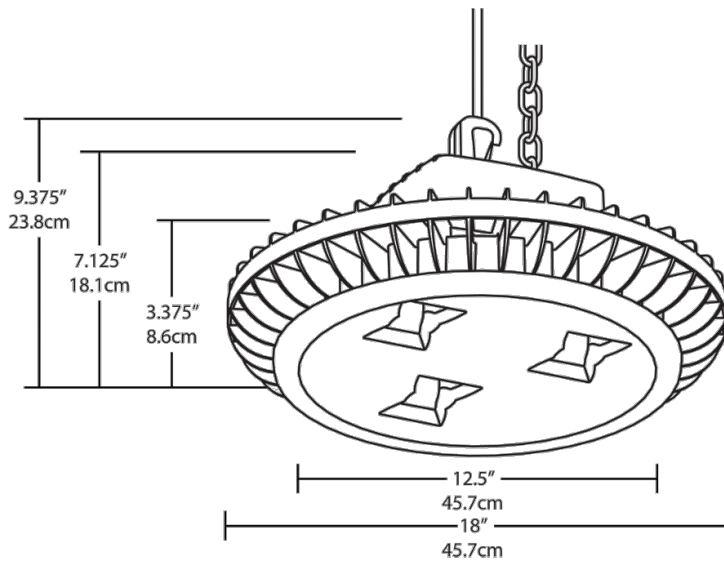
#### Trade Agreements Act Compliant:

This product is a COTS item manufactured in the United States, and is compliant with the Trade Agreements Act.

#### GSA Schedule:

Suitable in accordance with FAR Subpart 25.4.

## Dimensions



## Features

- Efficient, aisle-shaped, vertical illumination
- Eliminates hot spots on higher shelves that can cause glare, improving overall visibility
- 100,000-hour LED lifespan
- 5-year warranty

## Ordering Matrix

Family	Watts	Color Temp	Finish	Bi-Level
AISLED	78 = 78W	Blank = 5000K (Cool) Y = 3000K (Warm) N = 4000K (Neutral)	W = White	Blank = No Bi-Level /BL = Bi-Level