



Type II distribution Area Light with slipfitter mount. Mounting can be angled up to widen distribution and locks securely in place. Factory wired for 277V. Lamp supplied.

Color: Bronze

Weight: 36.4 lbs

<b>Project:</b>	<b>Type:</b>
<b>Prepared By:</b>	<b>Date:</b>

Lamp Info		Ballast Info	
Type:	ED28	Type:	CWA HPF QT
Watts:	320W	120V:	2.6/3.2A
Shape/Size:	N/A	208V:	1.5/1.8A
Base:	N/A	240V:	1.3/1.6A
ANSI:	N/A	277V:	1.2/1.4A
Hours:	20,000	Input Watts:	368W
Lamp Lumens:	30,000	Efficiency:	87%
Efficacy:	82 LPW		

## Technical Specifications

### Listings

#### UL Listing:

Suitable for wet locations. Suitable for mounting within 1.2m (4ft) of the ground. When using as an uplight in outdoor applications, a Hood or a Visor must be used.

### Construction

#### Lens Gasket:

High temperature extruded silicone set in die cast retaining groove. Remains in place during relamping.

#### Housing:

One-piece precision die cast aluminum housing and door held captive when opened. Removable hinge pins for door removal.

#### Reflector:

Hydroformed Type II reflector.

#### Finish:

Our environmentally friendly polyester powder coatings are formulated for high-durability and long-lasting color, and contains no VOC or toxic heavy metals.

#### Lens:

Thermal, tempered shock resistant glass, 5/32" thick.

#### Mounting Arm:

Mounts with two 5/16 -18 threaded rods at 2" on center.

#### EPA:

2

### Electrical

#### Socket:

Porcelain socket Pulse rated 4kv, 1500 watts and 600 volts, reinforced with cat's eyes for added durability. Silicone and fiberglass #14 gauge socket leads rated for 200°C. Plated screw shell designed to resist corrosion with spring loaded center contact.

### Other

#### Country of Origin:

Designed by RAB in New Jersey and assembled in the USA by RAB's IBEW Local 3 workers.

#### Buy American Act Compliant:

This product is a COTS item manufactured in the United States, and is compliant with the Buy American Act.

#### Recovery Act (ARRA) Compliant:

This product complies with the 52.225-21 "Required Use of American Iron, Steel, and Manufactured Goods-- Buy American Act-- Construction Materials (October 2010).

#### Trade Agreements Act Compliant:

This product is a COTS item manufactured in the United States, and is compliant with the Trade Agreements Act.

#### GSA Schedule:

Suitable in accordance with FAR Subpart 25.4.

#### Patents:

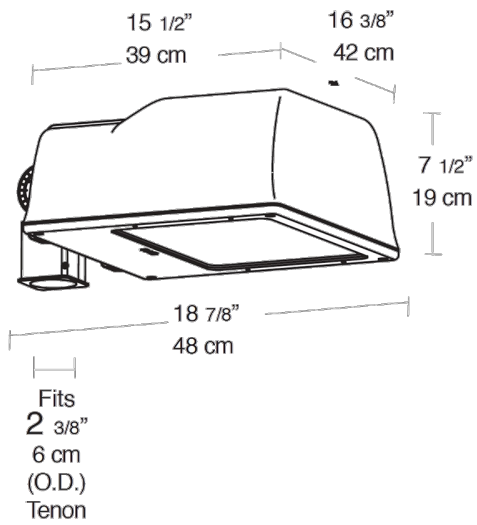
Sensor and fixture designs are protected under U.S. and International Intellectual Property Laws.

### Optical

#### BUG Rating:

B3 U1 G3

## Dimensions



## Features

- Fins dissipate heat outside the ballast compartment
- Hydroformed type II reflector for superior optic control
- Capacitor cradle dissipates heat and extends lamp and ballast life
- Stainless steel external hardware
- Fixed arm for pole mounting or slipfitter mount
- Silicone gasket for durable weatherproofing & easy relamping
- Lamp supplied