



78W BAYLED high bay replaces 250W MH high bays, reducing energy consumption by 67%. Suitable for large spaces, including warehouses, factories, and distribution centers.

Color: White

Weight: 21.0 lbs

**Project:**

**Type:**

**Prepared By:**

**Date:**

#### Driver Info

Type:	Constant Current
120V:	0.82A
208V:	0.52A
240V:	0.45A
277V:	0.4A
Input Watts:	89W
Efficiency:	88%

#### LED Info

Watts:	78W
Color Temp:	5100K
Color Accuracy:	68 CRI
L70 Lifespan:	100000
Lumens:	7,463
Efficacy:	84 LPW

## Technical Specifications

### Listings

#### UL Listing:

Suitable for damp locations with cord and hook.  
Suitable for wet locations with 3/4" pendant stem.  
Covered ceiling mount only.

#### IESNA LM-79 & LM-80 Testing:

RAB LED luminaries have been tested by an independent laboratory in accordance with IESNA LM-79 and LM-80, and have received the Department of Energy "Lighting Facts" label.

#### DLC Listed:

This product is on the Design Lights Consortium (DLC) Qualified Products List and is eligible for rebates from DLC Member Utilities.  
DLC Product Code: P000017AF

### LED Characteristics

#### LEDs:

Three multi-chip, 26W high-output, long-life LEDs.

#### Lifespan:

100,000-hour LED lifespan based on IES LM-80 results and TM-21 calculations.

#### Color Consistency:

7-step MacAdam Ellipse binning to achieve consistent fixture-to-fixture color.

#### Color Stability:

LED color temperature is warrantied to shift no more than 200K in CCT over a 5 year period.

#### Color Uniformity:

RAB's range of CCT (Correlated Color Temperature) follows the guidelines of the American National Standard for Specifications for the Chromaticity of Solid State Lighting (SSL) Products, ANSI C78.377.2011.

### Electrical

#### Drivers (3):

Constant Current, 720mA, Class 2 with 6kV surge protection, 100-277VAC, 50/60 Hz.

#### THD:

12.2% at 120V

### Construction

#### Ambient Temperature:

Suitable for use in 55°C (131°F) ambient temperatures.

#### Thermal Management:

Superior thermal management with external air-flow fins

#### Housing:

Precision die-cast aluminum housing and door frame with 3-foot 600V power cord.

#### Mounting:

Heavy-duty 3/4" NPS hook and 3 foot safety chain.

#### Recommended Mounting Height:

25 ft.

#### Lens:

Tempered glass.

### Reflector:

Specular vacuum metallized polycarbonate.

### Gaskets:

High-temperature silicone

### Finish:

Our environmentally friendly polyester powder coatings are formulated for high-durability and long-lasting color, and contains no VOC or toxic heavy metals.

### Green Technology:

Mercury and UV free. RoHS compliant components. Polyester powder coat finish formulated without the use of VOC or toxic heavy metals.

### Other

#### Equivalency:

BAYLED replaces 250 Watt metal halide one-for-one, and is equivalent to 4 lamp T8 fixtures.

#### California Title 24:

See BAYLED78/BL for a 2013 California Title 24 compliant product. Any additional component requirements will be listed in the Title 24 section under technical specifications on the product page.

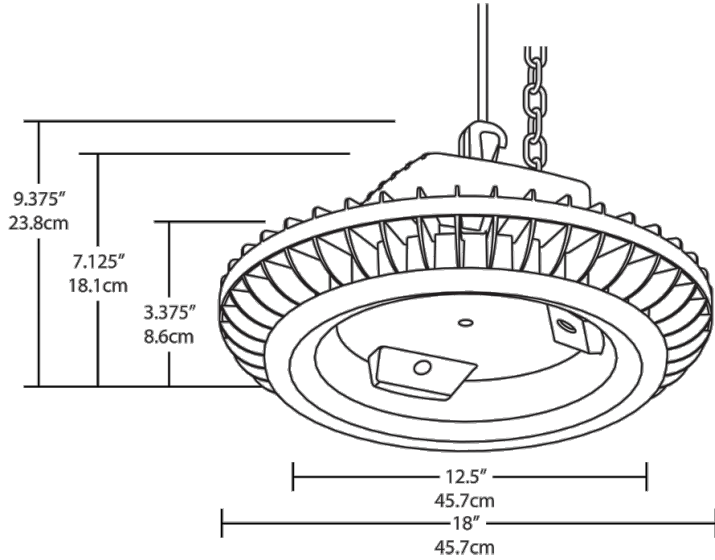
#### Patents:

The design of the BAYLED™ is protected by patents pending in US, Canada, China, Taiwan and Mexico.

#### Accessories:

Available accessories include protective polyshield and wire guards, replacement lens and doorframe, and an occupancy sensor.

## Dimensions



## Features

- Replaces 250W MH high bays
- Reduces energy consumption by 67%
- 100,000-hour LED lifespan
- 5-year warranty

## Ordering Matrix

Family	Watts	Color Temp	Finish	Bi-Level
BAYLED	78 = 78W	Blank = 5000K (Cool) Y = 3000K (Warm) N = 4000K (Neutral)	W = White	Blank = No Bi-Level /BL = Bi-Level