



42" high rectangular Bollard with (1) 20 Watt LED fixture for a low level lighting applications. Equivalent to a 150 Watt MH. Great for pathway lighting! IESNA Full Cutoff, Fully Shielded optics. 5 year warranty.

Color: Bronze

Weight: 19.6 lbs

<b>Project:</b>	<b>Type:</b>
<b>Prepared By:</b>	<b>Date:</b>

Driver Info		LED Info	
Type:	Constant Current	Watts:	20W
120V:	N/A	Color Temp:	5000K
208V:	0.12A	Color Accuracy:	70 CRI
240V:	0.10A	L70 Lifespan:	100000
277V:	0.08A	Lumens:	1,401
Input Watts:	22W	Efficacy:	64 LPW
Efficiency:	91%		

## Technical Specifications

### Electrical

#### Photocell:

277V Photocell Included. Photocell is compatible with 208V-277V.

#### Driver:

Constant Current, Class2, 100 -277V, 50/60 Hz, 100 - 240VAC 0.3 - 0.15A, 277VAC 0.15A

#### THD:

7.35% at 120V

### Listings

#### UL Listing:

Suitable for wet locations.

#### Dark Sky Approved:

The International Dark Sky Association has approved this product as a full cutoff, fully shielded luminaire.

#### IESNA LM-79 & IESNA LM-80 Testing:

RAB LED luminaires have been tested by an independent laboratory in accordance with IESNA LM-79 and 80, and have received the Department of Energy "Lighting Facts" label.

### LED Characteristics

#### Lifespan:

100,000-hour LED lifespan based on IES LM-80 results and TM-21 calculations.

#### Color Consistency:

7-step MacAdam Ellipse binning to achieve consistent fixture-to-fixture color.

#### Color Stability:

LED color temperature is warrantied to shift no more than 200K in CCT over a 5 year period.

#### Color Uniformity:

RAB's range of CCT (Correlated Color Temperature) follows the guidelines of the American National Standard for Specifications for the Chromaticity of Solid State Lighting (SSL) Products, ANSI C78.377-2011.

### Construction

#### Junction Box:

Junction Box Not Included.

#### Maximum Ambient Temperature:

Suitable for use in 55°C (131°F) ambient temperatures.

#### Cold Weather Starting:

The minimum starting temperature is -30°C (-22° F).

#### Thermal Management:

Cast aluminum Thermal Management system for optimal heat sinking. The BLED is designed for cool operation, most efficient output and maximum LED life by minimizing LED junction temperature.

#### Housing:

Precision die cast aluminum housing, lens frame.

#### Mounting:

42" Bollard.

#### Gaskets:

High temperature silicone.

#### Finish:

Our environmentally friendly polyester powder coatings are formulated for high-durability and long-lasting color, and contains no VOC or toxic heavy metals.

#### Anchor Bolt:

The anchor bolts for the BLED's have the following dimensions 1/2 - 13 x 12 1/4" long with 2 3/4" hook.

#### Green Technology:

Mercury and UV free. RoHS compliant components. Polyester powder coat finish formulated without the use of VOC or toxic heavy metals.

#### For use on LEED Buildings:

IDA Dark Sky Approval means that this fixture can be used to achieve LEED Credits for Light Pollution Reduction.

### Optical

#### Fixture Efficacy:

64 Lumens per Watt

#### Lumen Maintenance:

The LED will deliver 70% of its initial lumens at 100,000 hours of operation.

### Other

#### California Title 24:

BLED20/PC2 complies with 2013 California Title 24 building and electrical codes as a commercial outdoor non-pole-mounted fixture < 30 Watts.

#### Patents:

The BLED20 RCL design is protected under patents pending in Canada, U.S., China, Taiwan and Mexico.

#### Warranty:

RAB warrants that our LED products will be free from defects in materials and workmanship for a period of five (5) years from the date of delivery to the end user, including coverage of light output, color stability, driver performance and fixture finish.

## Technical Specifications (continued)

### Other

#### Country of Origin:

Designed by RAB in New Jersey and assembled in the USA by RAB's IBEW Local 3 workers.

#### Buy American Act Compliant:

This product is a COTS item manufactured in the United States, and is compliant with the Buy American Act.

#### Recovery Act (ARRA) Compliant:

This product complies with the 52.225-21 "Required Use of American Iron, Steel, and Manufactured Goods-- Buy American Act-- Construction Materials (October 2010).

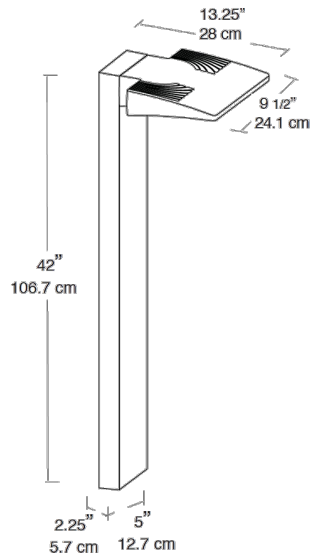
#### Trade Agreements Act Compliant:

This product is a COTS item manufactured in the United States, and is compliant with the Trade Agreements Act.

#### GSA Schedule:

Suitable in accordance with FAR Subpart 25.4.

## Dimensions



## Features

- High output LED
- 100,000 hour life
- Superior heat sinking with die cast aluminum housing
- Meets ADA Requirements