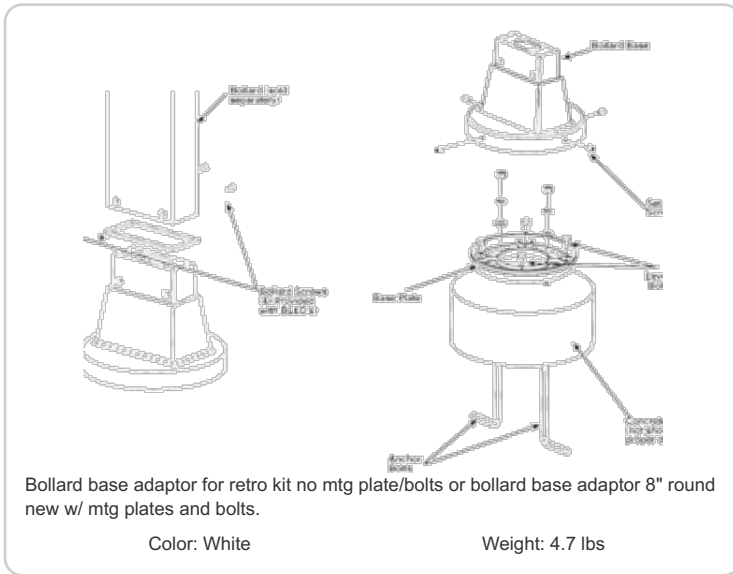


BOLBASEW



Project:	Type:
Prepared By:	Date:

Bollard base adaptor for retro kit no mtg plate/bolts or bollard base adaptor 8" round new w/ mtg plates and bolts.

Color: White Weight: 4.7 lbs

Technical Specifications

Other

Country of Origin:
Designed by RAB in New Jersey and assembled in Taiwan.

Trade Agreements Act Compliant:
This product is a product of Taiwan and a "designated country" end product that complies with the Trade Agreements Act.

GSA Schedule:
Suitable in accordance with FAR Subpart 25.4.

Dimensions

