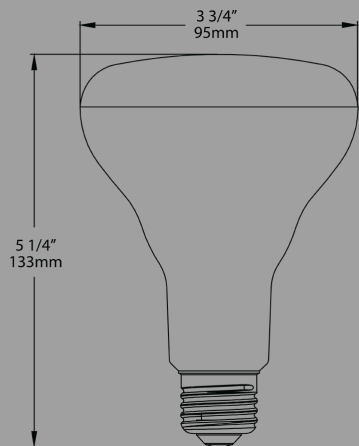


**Project:**

**Type:**

**Prepared By:**

**Date:**



UPC: 019813519142



## Features and Benefits

## Technical Specifications

### Performance

**Product Type:**

Reflector

**Input Wattage:**

10W

**Typical Lumen Output:**

800

**L70 Lifespan:**

25,000 Hours

### Construction

**Bulb Shape:**

BR30

**Base Type:**

E26

**Beam Angle:**

120°

### Other

**Equivalency:**

65W Incandescent

**Warranty (Years):**

RAB warrants that our LED products will be free from defects in materials and workmanship for a period of three (3) years from the date of delivery to the end user, including coverage of light output, color stability, driver performance and fixture finish. RAB's warranty is subject to all terms and conditions found at [rablighting.com/warranty](http://rablighting.com/warranty).

### Electrical

**Power Factor:**

>0.9

**Operating Temperature:**

-20°C - 40°C

**Input Voltage:**

120V

**Operating Frequency:**

60 Hz

### Electrical Characteristics

**Input Current @ 120V:**

100mA

### Compliance

**Damp Rated:**

Suitable for damp locations

**UL Listed:**

Yes

## Technical Specifications (continued)

### Compliance

#### Enclosed Fixtures:

Suitable for use in enclosed fixtures

#### ENERGY STAR V2.0:

This product is ENERGY STAR® Version 2.0 Certified

#### T20:

Complies with CEC Title 20

#### T24 JA8 Compliant:

Complies with Title 24 Appendix JA8

#### FCC:

Yes

## Dimension

