



The versatile, low-cost, low-profile wallpack. BRISK™ - efficient and affordable LED light.

Color: Bronze

Weight: 4.9 lbs

Project:

Type:

Prepared By:

Date:

Driver Info

Type:	Constant Current
120V:	0.33A
208V:	0.21A
240V:	0.18A
277V:	0.15A
Input Watts:	39W
Efficiency:	N/A

LED Info

Watts:	40W
Color Temp:	4000K
Color Accuracy:	74 CRI
L70 Lifespan:	60000
Lumens:	4,691
Efficacy:	119 LPW

Technical Specifications

Listings

UL Listing:

Suitable for wet locations.

DLC Listed:

This product is on the Design Lights Consortium (DLC) Qualified Products List and is eligible for rebates from DLC Member Utilities.

DLC Product Code: PJ5Z1D73

IESNA LM-79 & LM-80 Testing:

RAB LED luminaires have been tested by an independent laboratory in accordance with IESNA LM-79 and LM-80, and have been received the Department of Energy "Lighting Facts" label.

LED Characteristics

Lifespan:

100,000-hour LED lifespan based on IES LM-80 results and TM-21 calculations.

LEDs:

Long-life, high-efficiency surface mount LEDs

Color Stability:

LED color temperature is warranted to shift no more than 200K in CCT over a 5 year period.

Color Uniformity:

RAB's range of CCT (Correlated Color Temperature) follows the guidelines of the American National Standard for Specifications for the Chromaticity of Solid State Lighting (SSL) Products, ANSI C78.377-2011.

Electrical

Driver:

Constant Current, Class 2, 50/60Hz, 120V: 0.33A, 208V: 0.21A, 240V: 0.18A, 277V: 0.15A

Surge Protection:

2.5KV

Construction

IP Rating:

Ingress Protection rating of IP66 for dust and water.

Maximum Ambient Temperature:

Suitable for use in 40°C (104°F) ambient temperatures

Cold Weather Starting:

The minimum starting temperature is -30°C (-22° F).

Housing:

Precision die-cast aluminum.

Reflector:

Specular

Lens:

Diffused acrylic

Mounting:

Heavy duty, die-cast junction box with four (4) conduit entries (one top, two side, one back).

Gasket:

Silicone foam

Finish:

Our environmentally friendly polyester powder coatings are formulated for high-durability and long-lasting color, and contains no VOC or toxic heavy metals.

Green Technology:

Mercury and UV free. RoHS compliant components. Polyester powder coat finish formulated without the use of VOC or toxic heavy metals.

Optical

BUG Rating:

B1 U4 G3

Other

Replacement:

BRISK™XL 42W replaces (2) 32W CFL, 42W CFL, 50W HPS or 70W MH (Pulse Start) - up to 100 MH.

Photocell:

120-277V Button Photocell Included. Photocell is compatible with 120V-277V.

5 Yr Limited Warranty:

RAB warrants fixture operation and paint finish for a period of 5 years.

Country of Origin:

Designed by RAB in New Jersey and assembled in the USA by RAB's IBEW Local 3 workers.

Buy American Act Compliant:

This product is a COTS item manufactured in the United States, and is compliant with the Buy American Act.

Recovery Act (ARRA) Compliant:

This product complies with the 52.225-21 "Required Use of American Iron, Steel, and Manufactured Goods-- Buy American Act-- Construction Materials (October 2010).

Technical Specifications (continued)

Other

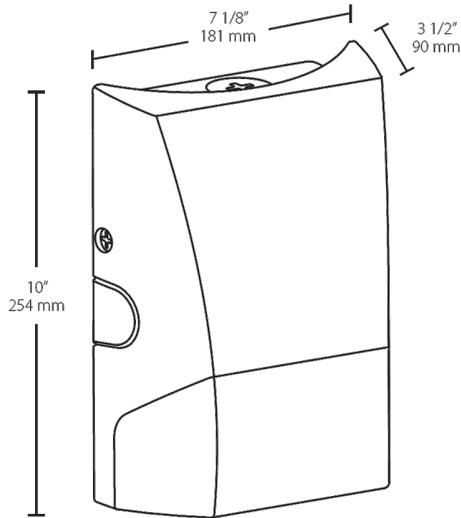
Trade Agreements Act Compliant:

This product is a COTS item manufactured in the United States, and is compliant with the Trade Agreements Act.

GSA Schedule:

Suitable in accordance with FAR Subpart 25.4.

Dimensions



Features

- Economical
- Traditional non-cutoff design
- 60,000-hour LED lifespan
- 5-Year limited warranty

Ordering Matrix

Family	Size	Watts	Color Temp	Finish	Photocell
BRISK	XL	40	N		/PCU
	Blank = 8W & 12W only XL = 24W & 40W only	40 = 40W 24 = 24W 12 = 12W 8 = 8W	Blank = 5000K (Cool) N = 4000K (Neutral) Y = 3000K (Warm)	Blank = Bronze W = White	Blank = No Photocell /PCU = 120-277V Photocell