



Project:	Type:
Prepared By:	Date:

Technical Specifications

Other

Description:

Bullhorns fit 2 3/8" (6cm) O.D. tenons and accommodate 2 3/8" (6cm) slip fitters Bullhorn bracket safely supports four floodlights each up to 90 pounds & each with max 4.0 EPA includes (4) 3/8" bolts for securing to pole.

Description:

Four Light Bullhorn Bracket 90 ° apart.

Buy American Act Compliant:

This product is a COTS item manufactured in the United States, and is compliant with the Buy American Act.

Recovery Act (ARRA) Compliant:

This product complies with the 52.225-21 "Required Use of American Iron, Steel, and Manufactured Goods-- Buy American Act-- Construction Materials (October 2010).

Trade Agreements Act Compliant:

This product is a COTS item manufactured in the United States, and is compliant with the Trade Agreements Act.

GSA Schedule:

Suitable in accordance with FAR Subpart 25.4.

Patents:

The designs of fixtures are protected under U.S. and international intellectual property laws.

Construction

Compatibility:

RAB Megaflood, Floodzilla and Flexflood models.

Finish:

Our environmentally friendly polyester powder coatings are formulated for high-durability and long-lasting color, and contains no VOC or toxic heavy metals.

Bracket EPA:

3.3.

Weight:

43 lbs.

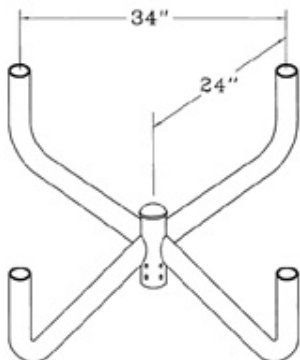
Maximum Weight Capacity:

77 lbs. per arm.

EPA Maximum Capacity:

2.5 per arm.

Dimensions



Features

- Easy, secure floodlight mounting
- Double Reinforced weld joints