

Project:	Type:
Prepared By:	Date:

Floodlight brackets for steel and wood poles.

Color: Galvanized steel

Weight: 12.0 lbs

Technical Specifications

Construction

Finish:

Galvanized steel.

EPA Maximum Capacity:

5.0.

Bracket:

3/16" thick steel.

Other

Description:

Right Angle Bracket for Wood.

Maximum Weight:

105 lbs.

Buy American Act Compliant:

This product is a COTS item manufactured in the United States, and is compliant with the Buy American Act.

Recovery Act (ARRA) Compliant:

This product complies with the 52.225-21 "Required Use of American Iron, Steel, and Manufactured Goods-- Buy American Act-- Construction Materials (October 2010).

Trade Agreements Act Compliant:

This product is a COTS item manufactured in the United States, and is compliant with the Trade Agreements Act.

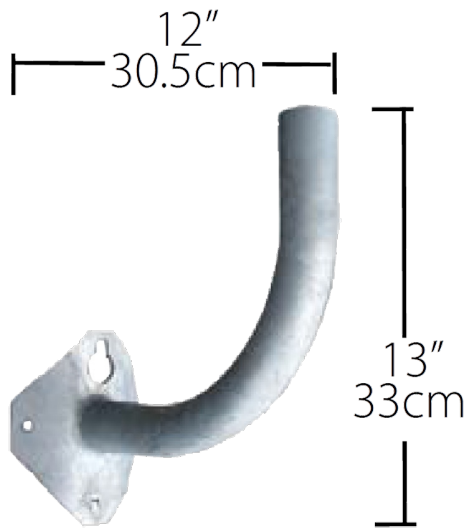
GSA Schedule:

Suitable in accordance with FAR Subpart 25.4.

Patents:

The designs of fixtures are protected under U.S. and international intellectual property laws.

Dimensions



Features

Easy, secure floodlight mounting

Double Reinforced weld joints