



<b>Project:</b>	<b>Type:</b>
<b>Prepared By:</b>	<b>Date:</b>

Floodlight brackets for steel and wood poles.

Color: Galvanized steel

Weight: 14.0 lbs

**Technical Specifications**

**Construction**

**Finish:**

Galvanized steel.

**EPA Maximum Capacity:**

5.0.

**Bracket:**

3/16" thick steel.

**Other**

**Description:**

2"X18" Steel Cross Arm Bracket.

**Maximum Weight:**

105 lbs.

**Buy American Act Compliant:**

This product is a COTS item manufactured in the United States, and is compliant with the Buy American Act.

**Recovery Act (ARRA) Compliant:**

This product complies with the 52.225-21 "Required Use of American Iron, Steel, and Manufactured Goods-- Buy American Act-- Construction Materials (October 2010).

**Trade Agreements Act Compliant:**

This product is a COTS item manufactured in the United States, and is compliant with the Trade Agreements Act.

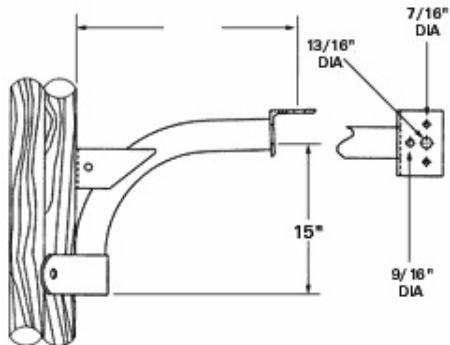
**GSA Schedule:**

Suitable in accordance with FAR Subpart 25.4.

**Patents:**

The designs of fixtures are protected under U.S. and international intellectual property laws.

**Dimensions**



**Features**

- Easy, secure floodlight mounting
- Double Reinforced weld joints