

Project:	Type:
Prepared By:	Date:

Technical Specifications

Listings

UL Listed & UL Classified:

Suitable for wet locations

ENERGY STAR V2.2:

This product is ENERGY STAR® Version 2.2 Certified.

Energy Star Model Number:

DLC0029

California Title 24:

Can be used to conform with the requirements of California Title 24 Part 6.

Electrical

Dimming Driver:

Driver includes dimming control wiring for 0-10V dimming systems. Requires separate 0-10V DC dimming circuit. Dims as low as 10%.

THDi:

Produces less than 20% THD

PF:

≥0.9

Input Voltage:

120V through 277V

Operating Frequency (Hz):

50/60Hz

LED Characteristics

Lifespan:

50,000-hour LED lifespan based on IES LM-80 results and TM-21 calculations

LEDs:

Long-life, high-efficacy, surface-mount LEDs

Wattage Equivalency:

18W/26W/32W CFL

R9 Value:

High color performance with R9 greater than or equal to 50

Flicker:

Silent and flicker free operations of less than 30%

Construction

IC Rated:

Suitable for direct contact with insulation

Air Tight:

Housing certified Air Tight as per ASTM E283

CCT Selectable:

Choose the color temperature before installing with integrated switch

Trim Style:

Smooth Trim

Housing:

Constructed from durable steel sheet metal

Cold Weather Starting:

The minimum starting temperature is -30°C (-22°F)

Technical Specifications (continued)

Construction

Maximum Ambient Temperature:

Suitable for use in 40°C (104°F)

Green Technology:

Mercury and UV free. RoHS-compliant components.

Mounting:

Robust retention clips spring loaded tabs ensure the fixture is securely installed. Can be installed in 1/4" to 1 1/2" thick ceilings.

Lens:

Diffuse Polystyrene lens produces smooth uniform light that is glare free

Finish:

Matte White

Optical

Beam Angle:

120°

Other

Template:

Template included for easy ceiling cut out

Warranty:

RAB warrants that our LED products will be free from defects in materials and workmanship for a period of five (5) years from the date of delivery to the end user, including coverage of light output, color stability, driver performance and fixture finish. RAB's warranty is subject to all terms and conditions found at rablighting.com/warranty.

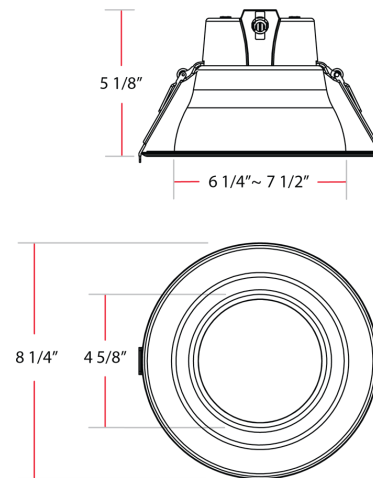
Buy American Act Compliance:

RAB values USA manufacturing! Upon request, RAB may be able to manufacture this product to be compliant with the Buy American Act (BAA). Please contact customer service to request a quote for the product to be made BAA compliant.

Case and Pallet Dimensions

	QTY	LENGTH	WIDTH	HEIGHT
CASE	4	17.05	8.9	12.2
PALLET	160	8.46	8.46	48.82

Dimension



Features

- High Performance LEDs for commercial applications
- Replacement for traditional compact fluorescent recessed downlights
- Compatible with new construction or retrofit installations
- UL wet and Energy Star rated
- Meets air-tight requirements
- Lumen and CCT Selectable
- Matte white smooth trim finish
- Available in 3 CCTs: 3000K, 3500K, 4000K
- 0 - 10V dimmable
- Spring loaded retention clips
- 25-inch Flexible conduit
- 5-Year, No-Compromise Warranty

Ordering Matrix

Family	Size	Shape	Wattage	CRI/Color Temp	Voltage	Finish
C	6	R	7/10/18	9FA	UNV	W
	6 = 6" 8 = 8" 9.5 = 9.5"	R = Round	7/10/18 = 700lm-1500lm 9/12 = 700lm-900lm 10/15/22 = 1000lm-2000lm 14/18 = 1200lm-1500lm 20/25/32 = 2000lm-3000lm	9FA = 90 CRI, Field Adjustable	UNV = 120-277V	W = White