



Now, more is less. Economical retrofit downlights with more to offer. Available in standard or adjustable heads.

Color: White

Weight: 0.7 lbs

Project:	Type:
Prepared By:	Date:

Driver Info		LED Info	
Type:	Constant Current	Watts:	11W
120V:	0.093A	Color Temp:	3500K
208V:	N/A	Color Accuracy:	89 CRI
240V:	N/A	L70 Lifespan:	100000
277V:	N/A	Lumens:	747
Input Watts:	10W	Efficacy:	73 LPW
Efficiency:	N/A		

Technical Specifications

Listings

UL Listing:

Suitable for damp locations

ENERGY STAR® V2.0:

This product is ENERGY STAR® Version 2.0 Certified.

IESNA LM-79 & IESNA LM-80 Testing:

RAB LED luminaires have been tested by an independent laboratory in accordance with IESNA LM-79 and 80, and have received the Department of Energy "Lighting Facts" label.

Electrical

Driver:

Constant Current, Class 2, 50/60 Hz, 120V: 0.093A

Dimming:

TRIAC, ELV and 0-10V dimming compatibility.

THD:

27.59% at 120V

Power Factor:

95.5% at 120V

LED Characteristics

LEDs:

Multi-chip, high-output, long-life LEDs

Lifespan:

50,000-hour LED lifespan based on IES LM-80 results and TM-21 calculations.

Construction

Housing:

Precision, die-cast aluminum

Installation:

Friction blades for secure installation

Socket Adapter:

Edison 26 Medium Base Socket adapter

Lens:

Frosted acrylic lens

Finish:

Chip and fade resistant polyester powder coat finish

Green Technology:

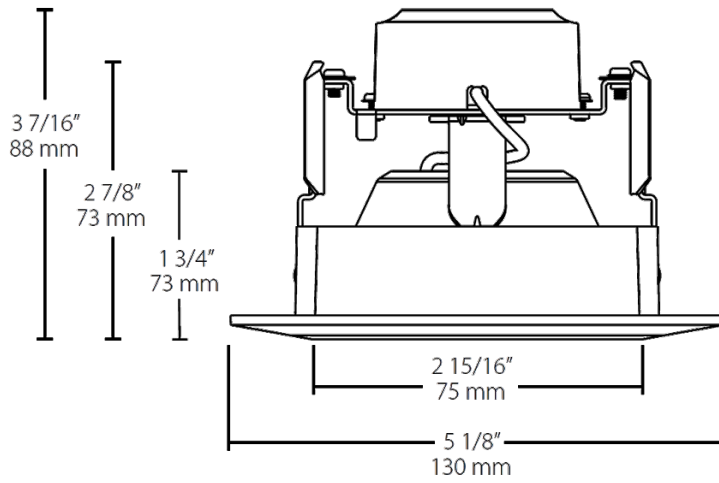
Mercury and UV free. RoHS compliant components.

Other

Warranty:

RAB warrants that our LED products will be free from defects in materials and workmanship for a period of five (5) years from the date of delivery to the end user, including coverage of light output, color stability, driver performance and fixture finish.

Dimensions



Features

- Superior thermal management with heat-dissipating fins
- Specification-grade 90 CRI standard
- Edison E26 Medium Base socket adapter included
- 5 year no compromise warranty

Ordering Matrix

Family	Color Temp	Size	Type	Shape	Watts
DLED	DLED	4	A	R	11
	Y = 3000K (Warm) YY = 2700K (Residential Warm) YN = 3500K (Warm Neutral)	4 = 4" 6 = 6"	Blank = Standard A = Adjustable (11W in 4" & 14W in 6" only)	R = Round	9 = 9W 11 = 11W 14 = 14W