



LED retrofit downlights are perfect for updating existing recessed lighting without changing the fixture. Equivalent to 50W Par.

Color: White

Weight: 0.9 lbs

Project:	Type:
Prepared By:	Date:

Driver Info		LED Info	
Type:	Constant Current	Watts:	8W
120V:	0.08A	Color Temp:	3000K
208V:	N/A	Color Accuracy:	85 CRI
240V:	N/A	L70 Lifespan:	100000
277V:	N/A	Lumens:	508
Input Watts:	9W	Efficacy:	59 LPW
Efficiency:	92%		

Technical Specifications

Listings

UL Listed:

Suitable for damp locations.

ENERGY STAR® V2.0:

This product is ENERGY STAR® V2.0 qualified.

IESNA LM-79 & LM-80 Testing:

RAB LED luminaires have been tested by an independent laboratory in accordance with IESNA LM-79 and LM-80, and have received the Department of Energy "Lighting Facts" label.

Electrical

Driver:

Innovative integrated driver technology with 120V TRIAC and ELV dimming.

Surge Protection:

2.5KV

Optical

Spacing Criteria:

0-180° (along): 1.12

Construction

Lens:

Polycarbonate diffusion lens for smooth light output.

Compatibility:

Low-profile design for maximum compatibility with many 4" incandescent recessed downlight housings.

Ambient Temperature:

Suitable for use in 40°C ambient temperatures.

Cold Weather Starting:

The minimum starting temperature is -22°F/-30°C.

Housing:

Professional-grade, die-cast aluminum construction; cast-in grooves.

Adapters:

Edison E26 medium base adapter included. GU24 socket adapter sold separately.

Installation:

Pre-installed friction clips are included to aid in attaching and securing the 4" DLED to the incandescent housing.

Finish:

Our environmentally friendly polyester powder coatings are formulated for high-durability and long-lasting color, and contains no VOC or toxic heavy metals.

Green Technology:

Mercury and UV free. RoHS compliant components. Polyester powder coat finish formulated without the use of VOC or toxic heavy metals.

LED Characteristics

Lifespan:

100,000-hour LED lifespan based on IES LM-80 results and TM-21 calculations.

LEDs:

High-output, long-life LEDs with 3 step binning and integrated driver technology.

Color Consistency:

3-step MacAdam Ellipse binning to achieve consistent fixture-to-fixture color.

Other

Equivalency:

8W replaces 50W Par.

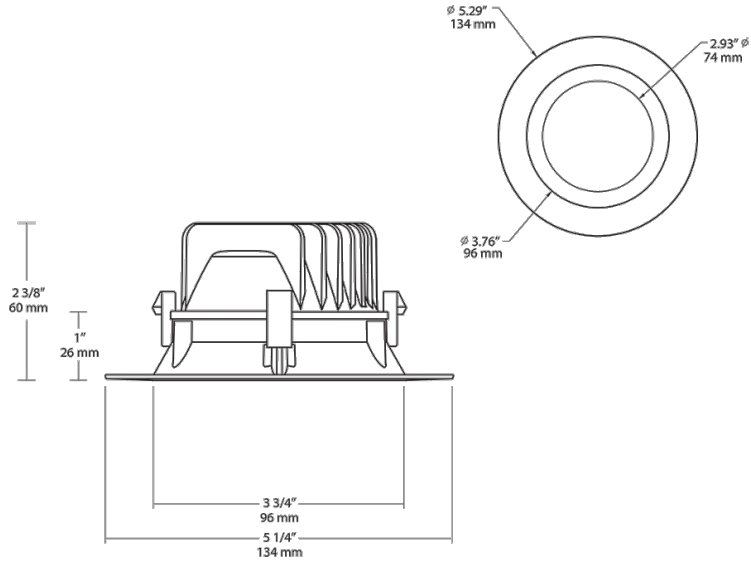
California Title 24:

DLED4R8 complies with 2013 California Title 24 building and electrical codes as a commercial indoor fixture for general spaces when used with a vacancy sensor and TRIAC dimming control. Select a vacancy sensor using catalog number LVS800. TRIAC dimmer provided by others.

Warranty:

RAB warrants that our LED products will be free from defects in materials and workmanship for a period of ten (10) years from the date of delivery to the end user, including coverage of light output, color stability, driver performance and fixture finish.

Dimensions

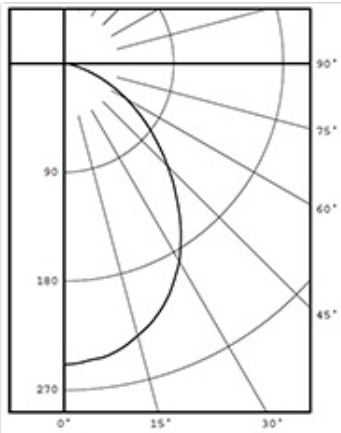


Features

- 8W replaces 50W PAR
- Energy savings is \$410 over 100,000 hours
- UL Listed for damp locations
- Triac & ELV dimmable
- Low-profile design ensures maximum compatibility with existing 4" housings
- 10 year warranty

Photometrics

candlepower distribution

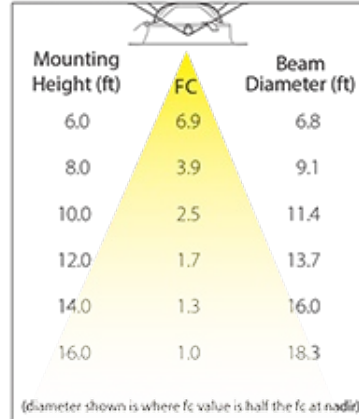


candela distribution

vertical deg.	candelas
0	249
5	246
15	233
25	207
35	167
45	120
55	78
65	41
75	12
85	2
90	0

LUMENS PER WATT: 58.7

cone of light



zonal lumen summary

zone	lumens	% fix.
0- 30	184	36.3
0- 40	288	56.7
0- 60	451	88.7
0- 90	508	100.0
90-180	0	0.0
0-180	508	100.0

luminance (candela/M²)

degrees	avg. luminance
45	23816
55	19085
65	13615
75	6507
85	3220

Ordering Matrix

Family	Size	Shape	Watts	Color Temp	Type
DLED	4 = 4"	R = Round	8 = 8W	YY = 2700K (Residential Warm) Y = 3000K (Warm) YN = 3500K (Warm Neutral)	Blank = Without Baffle /BAF = With Baffle