



<b>Project:</b>	<b>Type:</b>
<b>Prepared By:</b>	<b>Date:</b>

Driver Info		LED Info	
Type:	Constant Current	Watts:	8W
120V:	0.08A	Color Temp:	3500K
208V:	N/A	Color Accuracy:	86 CRI
240V:	N/A	L70 Lifespan:	100000
277V:	N/A	Lumens:	556
Input Watts:	9W	Efficacy:	64 LPW
Efficiency:	92%		

## Technical Specifications

### Listings

#### UL Listed:

Suitable for damp locations.

#### ENERGY STAR® V2.0:

This product is ENERGY STAR® V2.0 qualified.

#### IESNA LM-79 & LM-80 Testing:

RAB LED luminaires have been tested by an independent laboratory in accordance with IESNA LM-79 and LM-80, and have received the Department of Energy "Lighting Facts" label.

### Electrical

#### Driver:

Innovative integrated driver technology with 120V TRIAC and ELV dimming.

#### Surge Protection:

2.5KV

### Construction

#### Lens:

Polycarbonate diffusion lens for smooth light output.

#### Compatibility:

Low-profile design for maximum compatibility with many 5" incandescent recessed downlight housings.

#### Ambient Temperature:

Suitable for use in 40°C ambient temperatures.

#### Cold Weather Starting:

The minimum starting temperature is -22°F/-30°C.

#### Adapters:

Edison E26 medium base adapter included. GU24 socket adapter sold separately.

#### Installation:

Pre-installed Torsion springs and optional friction clips are both included to aid in attaching and securing the 5" DLED to the incandescent housing.

#### Finish:

Our environmentally friendly polyester powder coatings are formulated for high-durability and long-lasting color, and contains no VOC or toxic heavy metals.

#### Green Technology:

Mercury and UV free. RoHS compliant components. Polyester powder coat finish formulated without the use of VOC or toxic heavy metals.

### LED Characteristics

#### Lifespan:

100,000-hour LED lifespan based on IES LM-80 results and TM-21 calculations.

#### LEDs:

High-output, long-life LEDs with 3 step binning and integrated driver technology.

#### Color Consistency:

3-step MacAdam Ellipse binning to achieve consistent fixture-to-fixture color.

### Optical

#### Spacing Criteria:

0-180° (along): 1.13

### Other

#### Equivalency:

8W replaces 50W Par.

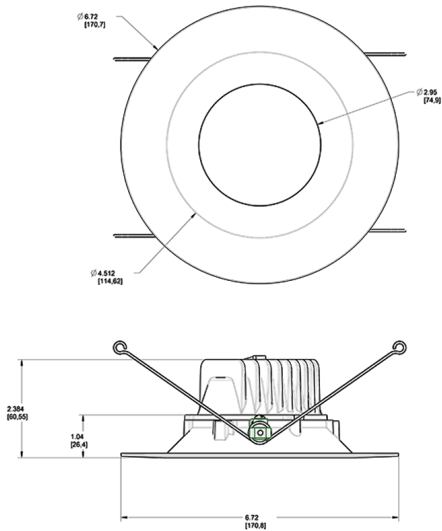
#### California Title 24:

DLED5R8 complies with 2013 California Title 24 building and electrical codes as a commercial indoor fixture for general spaces when used with a vacancy sensor and TRIAC dimming control. Select a vacancy sensor using catalog number LVS800. TRIAC dimmer provided by others.

#### Warranty:

RAB warrants that our LED products will be free from defects in materials and workmanship for a period of ten (10) years from the date of delivery to the end user, including coverage of light output, color stability, driver performance and fixture finish.

## Dimensions

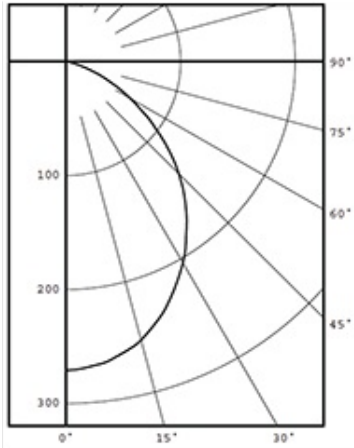


## Features

- Savings of up to \$1500 over 100,000 hrs
- 8W replaces 50W PAR
- Dimmable down to industry-leading 5%
- Low profile design for easy fit and installation
- 100,000-Hour LED lifespan

## Photometrics

### candlepower distribution

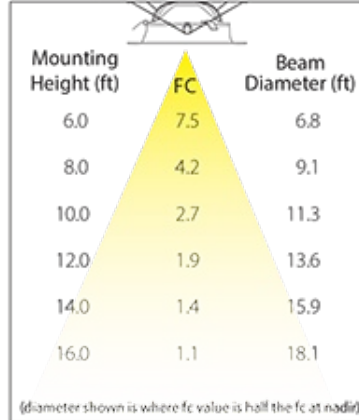


### candela distribution

vertical deg.	candelas
0	271
5	268
15	253
25	222
35	183
45	139
55	89
65	43
75	10
85	1
90	0

**LUMENS PER WATT: 63.8**

### cone of light



### zonal lumen summary

zone	lumens	% fix.
0- 30	199	35.7
0- 40	313	56.3
0- 60	500	89.8
0- 90	556	100.0
90-180	0	0.0
0-180	556	100.0

### luminance (candela/M<sup>2</sup>)

degrees	avg. luminance
45	19701
55	15551
65	10197
75	3872
85	1150

## Ordering Matrix

Family	Size	Shape	Watts	Color Temp	Type
DLED	5 = 5"	R = Round	8 = 8W	YY = 2700K (Residential Warm) Y = 3000K (Warm) YN = 3500K (Warm Neutral)	Blank = Without Baffle /BAF = With Baffle