



LED retrofit downlights are perfect for updating existing recessed lighting without changing the fixture. Replaces up to 70 Watt MH and 42 Watt CFL.

Color: White

Weight: 4.2 lbs

Project:

Type:

Prepared By:

Date:

Driver Info

Type: Constant Current
 120V: 0.31A
 208V: 0.19A
 240V: 0.17A
 277V: 0.14A
 Input Watts: 0W
 Efficiency: N/A

LED Info

Watts: 38W
 Color Temp: 2700K
 Color Accuracy: 82 CRI
 L70 Lifespan: 100000
 Lumens: N/A
 Efficacy: N/A

Technical Specifications

Listings

UL Listed:

Suitable for damp locations; non-IC-rated ceilings

IESNA LM-79 & LM-80 Testing:

RAB LED luminaires have been tested by an independent laboratory in accordance with IESNA LM-79 and LM-80, and have received the Department of Energy "Lighting Facts" label.

Optical

Photometrics:

Photometrics are based on prorated reports. Contact the RAB Lighting Design department for the most up-to-date data.

Replacement:

The DLED8 38W replaces 70 Watt Metal Halide and 42 Watt CFL.

Electrical

Driver:

Class 2, Constant Current, 50-60Hz, 900mA

Dimming:

Universal dimming driver for 0-10V (at 120-277V), TRIAC or ELV (at 120V only).

Surge Protection:

6kV

Construction

Housing Component:

This component must be ordered with Retrofit Downlights Trim Module in order to make a complete fixture.

Lens:

Microprismatic diffusion lens for smooth and even light distribution

Mounting:

Ceiling clamps for easy installation into existing, commercial, recessed downlight frames with opening of 7 7/8" (200mm) minimum and 8 7/8" (225.4mm) maximum (ceiling+can/pan thickness 1 7/16" maximum).

Compatibility:

Low-profile design for maximum compatibility with 8" incandescent recessed downlight housings.

Heat Sink:

Die-cast aluminum with external fins for maximum heat dissipation

Finish:

Our environmentally friendly polyester powder coatings are formulated for high-durability and long-lasting color, and contains no VOC or toxic heavy metals.

Green Technology:

Mercury and UV free. RoHS compliant components. Polyester powder coat finish formulated without the use of VOC or toxic heavy metals.

LED Characteristics

Lifespan:

100,000-hour LED lifespan based on IES LM-80 results and TM-21 calculations.

LEDs:

Long-life, high-efficiency surface mount LEDs with 3 step binning

Color Consistency:

3-step MacAdam Ellipse binning to achieve consistent fixture-to-fixture color.

Other

Warranty:

RAB warrants that our LED products will be free from defects in materials and workmanship for a period of ten (10) years from the date of delivery to the end user, including coverage of light output, color stability, driver performance and fixture finish.

Country of Origin:

Designed by RAB in New Jersey and assembled in the USA by RAB's IBEW Local 3 workers.

Buy American Act Compliant:

This product is a COTS item manufactured in the United States, and is compliant with the Buy American Act.

Recovery Act (ARRA) Compliant:

This product complies with the 52.225-21 "Required Use of American Iron, Steel, and Manufactured Goods-- Buy American Act-- Construction Materials (October 2010).

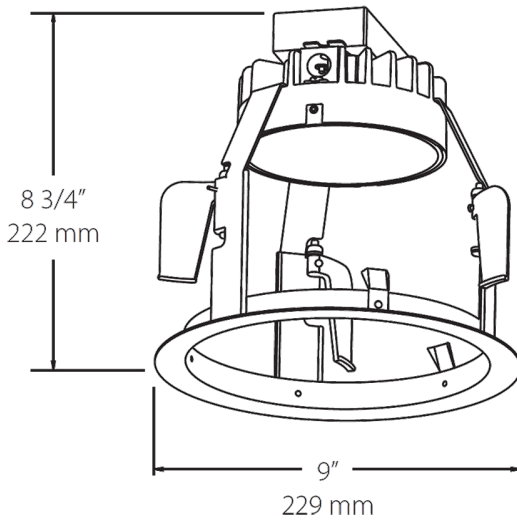
Trade Agreements Act Compliant:

This product is a COTS item manufactured in the United States, and is compliant with the Trade Agreements Act.

GSA Schedule:

Suitable in accordance with FAR Subpart 25.4.

Dimensions



Features

- Universal driver is compatible with TRIAC, ELV and 0-10V dimmers
- Lightweight design for easy installation and increased safety
- 100,000-Hour LED lifespan
- 10 year warranty

Ordering Matrix

Family	Size	Shape	Watts	Color Temp	CRI
DLED	8	R	38	YY	
	8 = 8"	R = Round	30 = 30W 38 = 38W	YY = 2700K (Residential Warm) Y = 3000K (Warm) YN = 3500K (Warm Neutral)	Blank = 82 CRI HC = 94 CRI