



Featuring 180° outward motion detection, this package provides an attractive and cost effective solution for applications that call for a fixture with a smaller, less prominent sensor.

Color: Bronze

Weight: 5.3 lbs

<b>Project:</b>	<b>Type:</b>
<b>Prepared By:</b>	<b>Date:</b>

Driver Info		LED Info	
Type:	Constant Current	Watts:	18W
120V:	0.2A	Color Temp:	5000K
208V:	N/A	Color Accuracy:	69 CRI
240V:	N/A	L70 Lifespan:	100000
277V:	N/A	Lumens:	1,681
Input Watts:	22W	Efficacy:	76 LPW
Efficiency:	81%		

## Technical Specifications

### Listings

#### UL Listing:

Suitable for wet locations.

#### IESNA LM-79 & LM-80 Testing:

RAB LED luminaires have been tested by an independent laboratory in accordance with IESNA LM-79 and LM-80, and have received the Department of Energy "Lighting Facts" label.

### Optical

#### Lumen Maintenance:

100,000-hour LED lifespan based on IES LM-80 results and TM-21 calculations.

#### NEMA Type:

7H x 6V Beam Spread.

### Construction

#### Airflow:

Patent pending Airflow technology heat sink for superior cooling.

#### Ambient Temperature:

Suitable for use in 40°C ambient temperatures.

#### Cold Weather Starting:

The minimum starting temperature is -40°C/-40°F

#### Thermal Management Housing:

Die-cast aluminum housing, lens frame and mounting arm.

#### Mounting:

Heavy-duty mounting arm with "O" ring seal & stainless steel screw.

#### Reflector:

Semi-specular anodized aluminum.

#### Gaskets:

High-temperature silicone gaskets.

#### Finish:

Our environmentally friendly polyester powder coatings are formulated for high-durability and long-lasting color, and contains no VOC or toxic heavy metals.

#### Green Technology:

Mercury and UV free. RoHS compliant components. Polyester powder coat finish formulated without the use of VOC or toxic heavy metals.

#### Compatibility:

Compatible with most electronic ballasts. Not compatible with instant start ballasts.

### LED Characteristics

#### LEDs:

18 Watt high performance LEDs.

#### Color Consistency:

7-step MacAdam Ellipse binning to achieve consistent fixture-to-fixture color.

#### Color Stability:

LED color temperature is warranted to shift no more than 200K in CCT over a 5 year period.

#### Color Uniformity:

RAB's range of CCT (Correlated Color Temperature) follows the guidelines of the American National Standard for (SSL) Products, ANSI C78.377-2015.

#### LED Detection Indicator:

LED glows red day & night for "on guard" deterrence.

### Electrical

#### Driver:

Constant Current, Class 2, 100 - 277V, 50 - 60 Hz, 100 - 277VAC 0.4 Amps.

#### THD:

8.5% at 120V, 7.2% at 277V

#### Surge Protection:

6kV

#### Voltage:

120 volts AC 60 Hz.

#### Manual Override:

Double flip wall switch logic prevents activation by brief power outages. Resets after 6 hours. No extra wiring needed.

#### Surge Protection:

Withstands up to 3000 volts.

#### RF Immunity:

Circuits fully shielded for maximum radio frequency immunity.

## Technical Specifications (continued)

### Electrical

#### Ratings:

5 amps .

#### Power Consumption:

Negligible

#### Manual Switch:

None .

#### Other

#### California Title 24:

FFLED18 complies with California Title 24 building and electrical codes.

#### Warranty:

RAB warrants that our LED products will be free from defects in materials and workmanship for a period of ten (10) years from the date of delivery to the end user, including coverage of light output, color stability, driver performance and fixture finish.

#### Patents:

The FFLED18 design is protected by Taiwan Patent 01510948 and patents pending in the U.S., Canada, China, and Mexico.

#### "No Hands" Auto Testing:

Auto mode starts after 4 minutes of testing. No adjustment needed.

#### Photoelectric Control:

Deactivates lights during daylight. Fully adjustable for 24 hour operation or custom applications.

#### Adjustments:

Time, ambient light & sensitivity .

#### Country of Origin:

Designed by RAB in New Jersey and assembled in the USA by RAB's IBEW Local 3 workers.

#### Buy American Act Compliant:

This product is a COTS item manufactured in the United States, and is compliant with the Buy American Act.

#### Recovery Act (ARRA) Compliant:

This product complies with the 52.225-21 "Required Use of American Iron, Steel, and Manufactured Goods-- Buy American Act-- Construction Materials (October 2010).

#### Trade Agreements Act Compliant:

This product is a COTS item manufactured in the United States, and is compliant with the Trade Agreements Act.

#### GSA Schedule:

Suitable in accordance with FAR Subpart 25.4.

### Sensor Characteristics

#### Time Adjustment:

5 seconds to 15 minutes.

#### Quick Test Time:

5 second test time for fast installation. Works day or night.

#### Time Delay:

5 seconds to 15 minutes .

#### Ambient Light Sensing:

Adjustable .

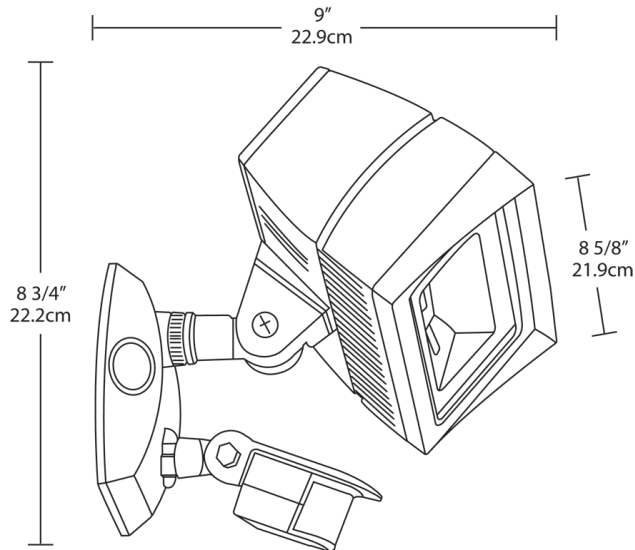
#### Detection:

180° detection pattern.

#### Sensor Switching Capacity:

5 Amps, 450 Watts LED @ 120 Volts 0.8pF Driver; 5 Amps, 300 Watts LED @ 120 Volts 0.5pF Driver .

### Dimensions



### Features

Ultra efficient LED and optical design

5-year warranty

180 detection pattern

Quick installation with 5 second test time and auto test logic

LED "on guard" indicator

Protected manual override with auto reset after 8 hours or at dawn