



Specification grade HID floodlight with cutting edge design, architectural quality, superior features and mounting options at competitive prices.

Color: Bronze

Weight: 15.9 lbs

|                     |              |
|---------------------|--------------|
| <b>Project:</b>     | <b>Type:</b> |
| <b>Prepared By:</b> | <b>Date:</b> |

| Lamp Info    |        | Ballast Info |           |
|--------------|--------|--------------|-----------|
| Type:        | ED17   | Type:        | HX-HPF QT |
| Watts:       | 70W    | 120V:        | .8/.9A    |
| Shape/Size:  | N/A    | 208V:        | N/A       |
| Base:        | N/A    | 240V:        | N/A       |
| ANSI:        | N/A    | 277V:        | N/A       |
| Hours:       | 24,000 | Input Watts: | 91W       |
| Lamp Lumens: | 6,400  | Efficiency:  | 77%       |
| Efficacy:    | 70 LPW |              |           |

**Technical Specifications**

**Listings**

**UL Listing:**

Suitable for wet locations. Suitable for ground mounting.

**Electrical**

**Photocell:**

120V Button Photocell Included. Photocell is only compatible with 120V.

**Socket:**

HID Porcelain 4kv Pulse Rated socket with nickel plated screw shell CFL Plug in type, GX24q-4 base.

**Construction**

**Housing:**

Precision die cast aluminum. 1/2" NPS locking Swivel Arm, Wall Bracket Trunnion or Slip Fitter.

**Reflector:**

Anodized aluminum. Field adjustable beam spread. Rotates 90° for horizontal or vertical lamp position.

**Lens Frame & Glare Shield:**

Precision die cast aluminum. Hinged for easy access. Phillips head screws for added security.

**Finish:**

Our environmentally friendly polyester powder coatings are formulated for high-durability and long-lasting color, and contains no VOC or toxic heavy metals.

**Lens:**

Thermal tempered shock resistant glass, 3/16" thick.

**Lens Gasket:**

High temperature one piece molded silicone set in die cast retaining groove. Remains in place during relamping.

**Ground Mounting:**

Use the new MPM19 PVC Mighty Post with aluminum cap for sturdy installation.

**Other**

**Patents:**

Pat. D545,987.

**Country of Origin:**

Designed by RAB in New Jersey and assembled in the USA by RAB's IBEW Local 3 workers.

**Buy American Act Compliant:**

This product is a COTS item manufactured in the United States, and is compliant with the Buy American Act.

**Recovery Act (ARRA) Compliant:**

This product complies with the 52.225-21 "Required Use of American Iron, Steel, and Manufactured Goods-- Buy American Act-- Construction Materials (October 2010).

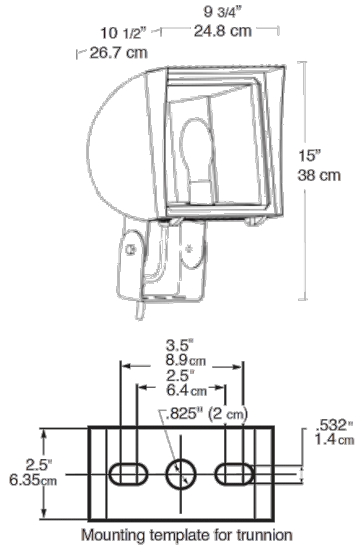
**Trade Agreements Act Compliant:**

This product is a COTS item manufactured in the United States, and is compliant with the Trade Agreements Act.

**GSA Schedule:**

Suitable in accordance with FAR Subpart 25.4.

**Dimensions**



**Features**

- Integra hood glare shield for friendly lighting when properly aimed
- Silicone gasket for durable weatherproofing & easy relamping
- Precision die cast aluminum housing and lens frame with durable polyester powder coating
- Anodized aluminum reflector rotates for horizontal or vertical lamp position
- Medium base 4kv pulse rated socket
- Two field adjustable socket positions allow fine tuning of beam spread)
- Fins for heat dissipation extend lamp and ballast life