

Project:	Type:
Prepared By:	Date:

Technical Specifications

Other

Description:

Guard polyshield frosted for highbay 78W LED with stainless steel screws and spacer.

Buy American Act Compliant:

This product is a COTS item manufactured in the United States, and is compliant with the Buy American Act.

Recovery Act (ARRA) Compliant:

This product complies with the 52.225-21 "Required Use of American Iron, Steel, and Manufactured Goods-- Buy American Act-- Construction Materials (October 2010).

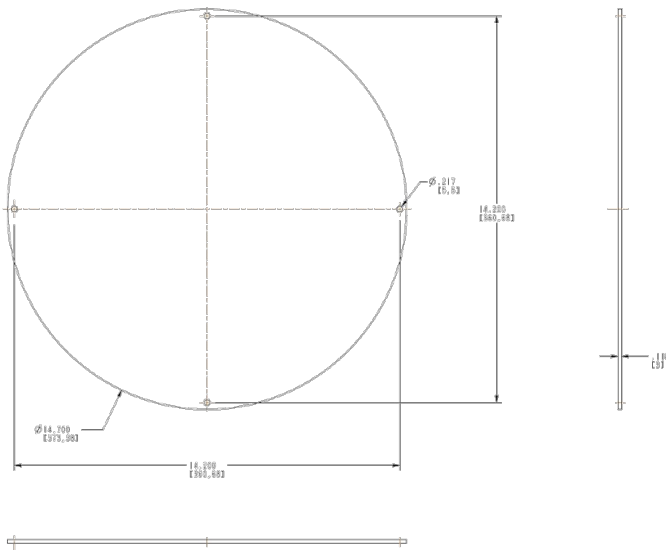
Trade Agreements Act Compliant:

This product is a COTS item manufactured in the United States, and is compliant with the Trade Agreements Act.

GSA Schedule:

Suitable in accordance with FAR Subpart 25.4.

Dimensions



Features

Fully compatible with BAYLED and AISLED fixtures

Commercial grade

For assistance in ordering please contact RAB customer service 1 888-RAB-1000

Ordering Matrix

Family	Compatibility	Voltage Amps	Material
GDBAYLED			
	78 = 78W BAYLED 78W = 78W BAYLED	800 = 800VA	W = Wire P = Polyshield FP = Frosted Polyshield