



The affordable LED GUS is designed to deliver general ambient lighting for surface-mount ceiling/wall or pendant mount applications. Diffusion lens delivers improved visual performance and a more refined look. Replaces traditional 2' linear fluorescent wraparound fixtures.

Color: White

Weight: 9.3 lbs

Project:	Type:
Prepared By:	Date:

Driver Info		LED Info	
Type:	Constant Current	Watts:	18W
120V:	0.15A	Color Temp:	5000K
208V:	0.09A	Color Accuracy:	83 CRI
240V:	0.08A	L70 Lifespan:	100000
277V:	0.07A	Lumens:	2,430
Input Watts:	19W	Efficacy:	128 LPW
Efficiency:	95%		

Technical Specifications

Listings

UL Listing:

Suitable for damp locations

IESNA LM-79 & LM-80 Testing:

RAB LED luminaires have been tested by an independent laboratory in accordance with IESNA LM-79 and LM-80, and have received the Department of Energy "Lighting Facts" label.

LED Characteristics

Lifespan:

100,000-hour LED lifespan based on IES LM-80 results and TM-21 calculations.

LEDs:

Long-life, high-efficiency surface mount LEDs

Color Stability:

LED Color temperature is warranted to shift no more than 200K in CCT over a 5 year period.

Color Uniformity:

RAB's range of CCT (Correlated Color Temperature) follows the guidelines of the American National Standard for Specifications for the Chromaticity of Solid State Lighting (SSL) Products, ANSI C78.377-2015.

Electrical

Driver:

Class 2, Constant Current, 100-277VAC, 50-60Hz, 4kV, 120V: 0.15A, 208V: 0.09A, 240V: 0.08A, 277V: 0.07A

THD:

8.1% at 120V, 7.8% at 277V

Power Factor:

98.8% at 120V, 95.1% at 277V

Minimum Starting Temperature:

-20°C to 40°C

Dimming Driver:

Driver includes dimming control wiring for 0-10V dimming systems. Requires separate 0-10V DC dimming circuit. Dims as low as 10%.

Construction

Housing:

Die-formed 22 gauge, cold-rolled, post-painted steel. Post painting improves durability of the finish and eliminates the sharp edges making handling and installation safer.

Mounting:

Surface mount. Can be mounted with chains or v-hooks by others.

Lens:

Acrylic lens with diffusion for enhanced optical performance

Reflector:

Aluminum with high-reflectance (91%) powder coat applied post production for a more durable finish

Finish:

Formulated for high-durability and long lasting color.

Green Technology:

Mercury and UV free. RoHS compliant components. Polyester powder coat finish formulated without the use of VOC or toxic heavy metals.

Other

Warranty:

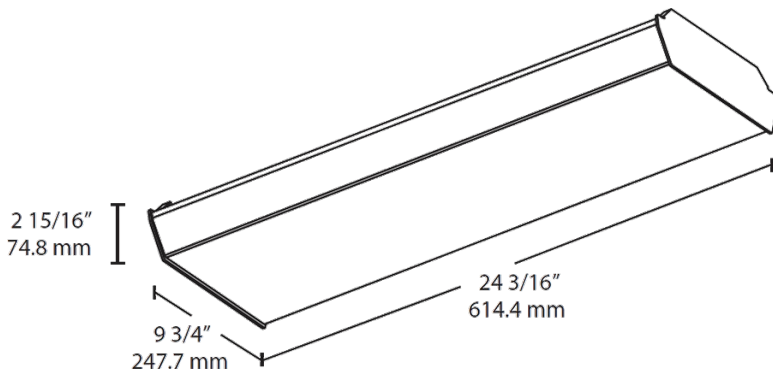
RAB warrants that our LED products will be free from defects in materials and workmanship for a period of five (5) years from the date of delivery to the end user, including coverage of light output, color stability, driver performance and fixture finish.

Replacement:

Replaces up to (1) F32T8

GUS2-18W/D10

Dimensions



Features

- Energy-efficient, maintenance-free LED wrap fixture
- Multiple mounting options: surface, pendant or chain
- High-reflectance white finish for optimal output
- Diffusion wrap-around lens for smooth light distribution
- 0-10V dimming standard
- 100,000-Hour LED lifespan

Ordering Matrix

Family	Length	Watts	Color Temp	Finish	Dimming
GUS	2	18		W	/D10
	2 = 2 ft	18 = 18W 25 = 25W	Blank = 5000K (Cool) N = 4000K (Neutral) YN = 3500K (Warm Neutral) Y = 3000K (Warm)	W = White	Blank = No Dimming /D10 = Dimmable