



Haybay's modular design creates a world of flexibility by keeping your base price low and letting you choose specific options like reflectors, motion sensors and emergency batteries separately.

Color: White

Weight: 15.7 lbs

| | |
|---------------------|--------------|
| Project: | Type: |
| Prepared By: | Date: |

| Driver Info | | LED Info | |
|--------------|------------------|-----------------|---------|
| Type: | Constant Current | Watts: | 130W |
| 120V: | 0.7A | Color Temp: | 5000K |
| 208V: | 0.67A | Color Accuracy: | 74 CRI |
| 240V: | 0.58A | L70 Lifespan: | 100000 |
| 277V: | 0.5A | Lumens: | 15506 |
| Input Watts: | 136W | Efficacy: | 114 LPW |
| Efficiency: | 96% | | |

Technical Specifications

Listings

UL Listing:

Suitable for damp locations

IESNA LM-79 & LM-80 Testing:

RAB LED luminaires have been tested by an independent laboratory in accordance with IESNA LM-79 and LM-80, and have received the Department of Energy "Lighting Facts" label.

DLC Listed:

This product is on the Design Lights Consortium (DLC) Qualified Products List and is eligible for rebates from DLC Member Utilities.
DLC Product Code: P563HEJH

Construction

Vibration Rating:

Industry-leading 5G vibration rating per ANSI C136.31.

Cold Weather Starting:

Minimum starting temperature is -40°C (-40°F)

Ambient Temperature:

Suitable for use in 40°C (104°F) ambient temperatures.

Housing:

Precision die-cast aluminum with sheet metal driver bracket/mounting

Mounting:

Heavy-duty 3/4" NPS hook and 6 ft. cord; is also 3/4" pendant mount capable (pendant by others).

Finish:

Our environmentally friendly polyester powder coatings are formulated for high durability and long-lasting color, and contain no VOC or toxic heavy metals.

Green Technology:

Mercury and UV free. RoHS compliant components.

LED Characteristics

LEDs:

Long-life, high-efficiency, surface mount LEDs.

Lifespan:

100,000-hour LED lifespan based on IES LM-80 results and TM-21 calculations.

Color Uniformity:

RAB's range of CCT (Correlated Color Temperature) follows the guidelines of the American National Standard for (SSL) Products, ANSI C78.377-2015.

Electrical

Drivers:

Class 1, programmable, constant current, 50/60 Hz., 120-277V, 120V: 0.7A, 208V: 0.67A, 240V: 0.58A, 277V: 0.5A

Dimming Driver:

Driver includes dimming control wiring for 0-10V dimming systems. Requires separate 0-10V DC dimming circuit. Dims as low as 10%.

THD:

6.0% at 120V, 6.7% at 277V

Power Factor:

99.8% at 120V, 96.9% at 277V

Surge Protection:

4kV

Other

Reflector Options:

Clear prismatic acrylic reflectors available in 11" or 8.5" height; frosted prismatic acrylic reflectors available in 11" or 8.5" height; white aluminum reflector available in 5" height. Click to see all reflectors.

LOS BAY800 Sensor:

360° White Lens (Installed) - 60 ft. diameter when mounted at 40 ft., Aisle Black Lens (included as option) - 60 ft. x 20 ft. wide.

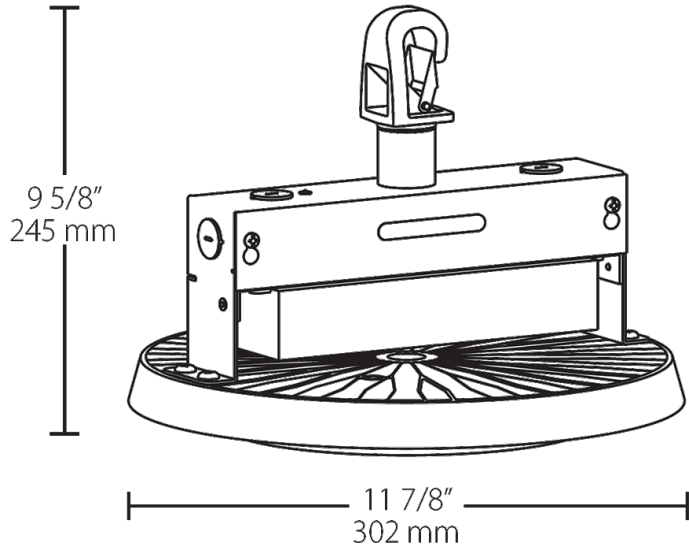
5 Yr Limited Warranty:

RAB warrants fixture operation and paint finish for a period of 5 years.

Buy American Act Compliance:

RAB values USA manufacturing! Upon request, RAB may be able to manufacture this product to be compliant with the Buy American Act (BAA). Please contact customer service to request a quote for the product to be made BAA compliant.

Dimensions



Features

- Simple. Affordable, Modular design.
- Open "airflow" design reduces operating temperatures and increases lifespan
- Assortment of reflectors tailor the Haybay to specific applications
- Available with a Lightcloud Controller, Lightcloud Sensor and other compatible RAB sensors

Ordering Matrix

| Family | Wattage | Color Temp | Driver | Sensor Options | Options |
|------------|---------|---------------|---------------------------------|--|-------------------------------------|
| HAYBAY | 130 | | /D10 | /LOS | |
| 180 = 180W | | Blank = 5000K | /D10 = 0-10V Dimming (standard) | Blank = No Sensor | Blank = No Emergency Battery Backup |
| 150 = 150W | | N = 4000K | | /LOS = LOSBAY 800 Sensor (base fixture only) | /E2 = Emergency Backup, 120-277V |
| 130 = 130W | | | | /LOSR = LOSBAY 800 Sensor (requires reflector) | |
| 100 = 100W | | | | /LC = Lightcloud®™ Controller | |
| | | | | /LCS = Lightcloud®™ Sensor (base fixture only) | |
| | | | | /LCSR = Lightcloud®™ Sensor (requires reflector) | |