



Kit includes 2 H101 Bullet floodlights pre-assembled on a CU4 universal mounting plate.

Color: Bronze

Weight: 4.1 lbs

Project:

Type:

Prepared By:

Date:

Lamp Info

Type: PAR38
 Watts: 300W
 Shape/Size: N/A
 Base: N/A
 ANSI: N/A
 Hours: N/A
 Lamp Lumens: N/A
 Efficacy: N/A

Ballast Info

Type: N/A
 120V: N/A
 208V: N/A
 240V: N/A
 277V: N/A
 Input Watts: 0W

Technical Specifications

Listings

UL Listing:

Suitable for wet locations. Suitable for mounting within 1.2m (4ft) of the ground. Can be aimed above horizontal with accessory hood or visor.

Electrical

Sockets:

Porcelain with all copper current carrying components.

Other

Compatibility with old H100:

H101 floods and accessories replace the discontinued RAB H100 and accessories. Parts are not interchangeable. Contact factory for price and availability of the old H100 Series.

Construction

Swivels:

Fully adjustable with sure-grip locks. 1/2" NPS threaded arm with serrated locking swivel fits all standard mounting covers. Color matched EZ Grip lock nuts.

Housings:

Die cast aluminum with powder coat finish.

Gaskets:

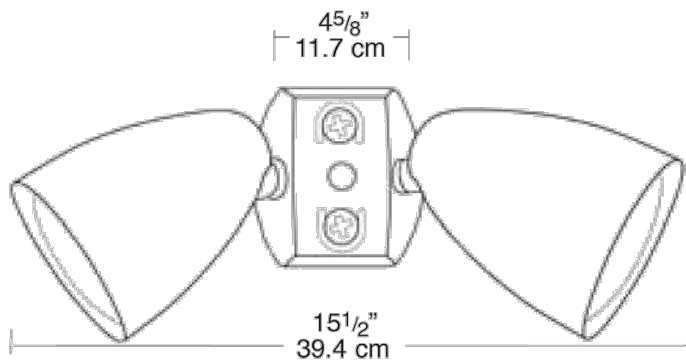
High temperature silicone rubber extends around both socket and lamp.

Optical

Lamps:

Medium base Par-38 lamps up to 150 watts. Halogen lamps give brighter light and choice of beam spreads.

Dimensions



Features

- Lamp recessed 1" from lip for side glare reduction
- Set screw for hood, grill or visor attachment
- Heavy duty mounting arm with internal O-ring, locking teeth, and stainless steel screw
- Large Silicone rubber gasket provides weatherproof protection around the lamp and socket
- HV1 Visor with integral guard and glass lens for maximum glare reduction and lamp protection
- HG1 Guard: Protects lamp from damage and vandalism
- HH1 Hood with glass lens reduces glare and protects lamp from water and impact damage