

Project:

Type:

Prepared By:

Date:



UPC: 019813510378



Features and Benefits

Replacement for traditional Metal Halide or High Pressure Sodium HID Lamps

Produces 10% uplight

Integral Driver enables lamp to be wired directly to line voltage without need for an external driver or ballast

Rated for use in enclosed and open fixtures in dry or damp locations

4kV surge protection built in

50,000 hour Lifespan

Environmentally friendly, no mercury used

UL Listed, UL Classified, DLC Listed

Non-Dimmable

5 Year No Compromise Warranty

Lamp includes on board low-voltage AUX port for lamp level sensor accessories

Technical Specifications

Performance

Product Type:

HID

Input Wattage:

115W

Typical Lumen Output:

15800

Efficacy:

137 lm/W

Color Temperature:

4000K Cool White

CRI:

80

L70 Lifespan:

50,000 Hours

Dimmable:

No

Construction

Bulb Shape:

High Bay

Base Type:

EX39

Beam Angle:

120°

Other

Equivalency:

400W HID

Warranty (Years):

RAB warrants that our LED products will be free from defects in materials and workmanship for a period of five (5) years from the date of delivery to the end user, including coverage of light output, color stability, driver performance and fixture finish. RAB's warranty is subject to all terms and conditions found at rablighting.com/warranty.

Electrical

Power Factor:

>0.9

Operating Temperature:

-30°C - 60°C

Input Voltage:

100-277V

Technical Specifications (continued)

Electrical

Operating Frequency:

50/60Hz

Installation

Installation Type:

Type B, Ballast Bypass

Installation Orientation:

Vertical

Technical Specifications

For Use in Emergency Fixtures:

No

Electrical Characteristics

Input Current @ 120V:

1.27mA

Flicker:

<30%

THDi:

<20%

Compliance

UL Listed:

Yes

UL Classified:

Yes

DLC Listed:

This product is on the Design Lights Consortium (DLC) Qualified Products List and is eligible for rebates from DLC Member Utilities.

DLC Model Number:

H20011

DLC Product Code:

PFD4R41R

CEC Status:

Lawful for sale in California

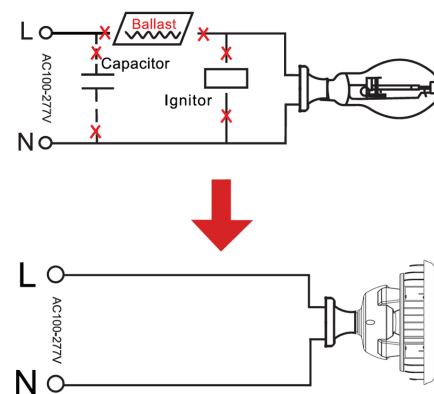
Minimum Compartment Size

| Length x Width x Height [in] | Lamp Quantity |
|------------------------------|---------------|
| 9.8 x 9.8 x 9.1 | 1 |

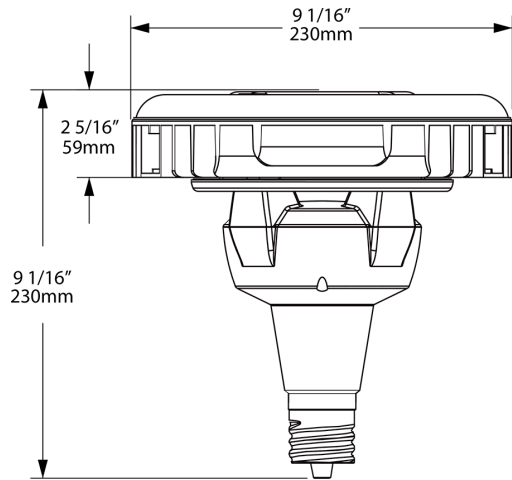
Case and Pallet Dimensions

| | QTY | LENGTH (in) | WIDTH (in) | HEIGHT (in) |
|--------|-----|-------------|------------|-------------|
| CASE | 4 | 20.5 | 20.5 | 10 |
| PALLET | 16 | 22.4 | 42.9 | 44.9 |

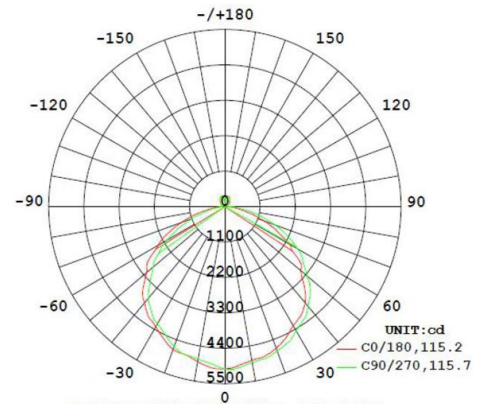
Wiring Diagram



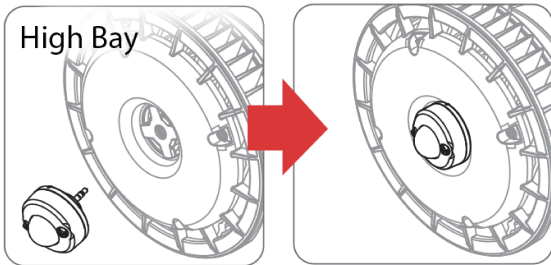
Dimension



Light Distribution



Sensor Installation



Compatible with:

- HID-60-V-EX39-8xx-BYP-HB-G2
- HID-80-V-EX39-8xx-BYP-HB-G2
- HID-115-V-EX39-8xx-BYP-HB-G2