

HID-115-V-EX39-840- BYP-HB



Replace 200 - 400W MH lamps for high bays. 50,000-hour lifespan. Use 76% less energy than MH. 10% Uplight reduces cave effect.

Color: White

Weight: 3.4 lbs

Project:	Type:
Prepared By:	Date:

Driver Info		LED Info	
Watts:	115W	Input Voltage:	100-277V
Color Temp:	4000K (Cool White)	Power Factor:	0.9
Lumens:	15,800	Flicker:	<30%
Efficacy:	137 LPW	THDi:	<20%
Color Accuracy:	80 CRI		
L70 Accuracy:	50,000		

Technical Specifications

Listings

UL Listed:

Yes

UL Classified:

Yes

FCC:

Yes

Rohs:

Yes

CEC Status:

Lawful for sale in California

DLC Qualified:

Yes

DLC Listed:

This product is on the Design Lights Consortium (DLC) Qualified Products List and is eligible for rebates from DLC Member Utilities.

DLC Product Code: P6RBEHCE

Description

Lamp Type:

HID

Bulb Type:

High Bay

Base Type:

EX39, Mogul Base

Dimmable:

No

Construction

Operating Temperature:

-20 - 40°C

Bare Lamp Illuminated Length (inches):

2.32"

MOL (inches):

7.48"

MOD (inches):

0.91"

Minimum Compartment Size (inches):

Length: 9.84"

Width: 9.84"

Height: 9.05"

LED Characteristics

Lifespan:

50,000-hour LED lifespan based on IES LM-70 results

Other

Equivalent:

400W HID High Bay

Warranty:

5 years

Optical

Beam Angle:

120°

Shipping Information

Case Qty:

4

Case Dimensions:

20.47 x 20.47 x 10.04

Pallet Quantity of Pieces:

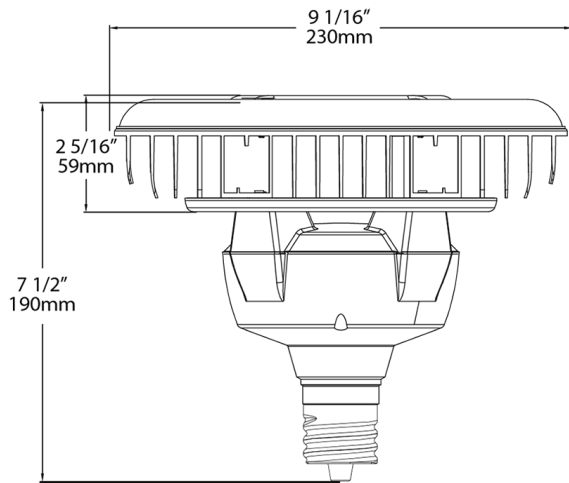
32

Pallet Dimensions:

22.44 x 42.91 x 44.88

HID-115-V-EX39-840- BYP-HB

Dimensions



Features

- Integral Driver, Eliminates the Need for External Driver or Ballast
- Includes 4kV Surge Protection
- Integrated Heat Sink Quickly Dissipates Heat
- Water and dust resistant, ideal for industrial applications
- Suitable for Use in Fully Enclosed Fixture
- Ring of LED's provide 10% up lighting to eliminate 'cave effect'
- Environmentally friendly: No Mercury Used