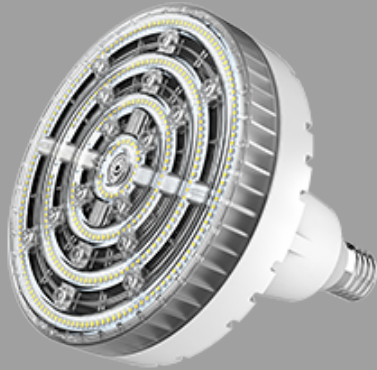


**Project:**

**Type:**

**Prepared By:**

**Date:**



UPC: 019813908472



## Features and Benefits

Replacement for traditional Metal Halide or High Pressure Sodium HID Lamps

Integral Driver enables lamp to be wired directly to line voltage without need for an external driver or ballast

Rated for use in enclosed and open fixtures in dry or damp locations

4kV surge protection built in

50,000 hour Lifespan

Environmentally friendly, no mercury used

UL Listed, UL Classified, DLC Listed

Non-Dimmable

Lamp includes on board low-voltage AUX port for lamp level sensor accessories

5 Year Limited Warranty

## Technical Specifications

### Performance

**Product Type:**

HID

**Input Wattage:**

115W

**Lumens (Nominal):**

15500

**Efficacy:**

135 lm/W

**Color Accuracy:**

80

**Color Temperature:**

5000K

**Dimmable:**

Yes

**L70 Lifespan:**

50,000-Hour LED lifespan based on IES LM-80 results and TM-21 calculations

### Construction

**Bulb Shape:**

High Bay

**Enclosure Material:**

Polycarbonate & Metal heat sink

**Housing Finish:**

White

**Base Type:**

EX39

**Beam Angle:**

120°

### Electrical

**THD:**

<20%

**Power Factor:**

>0.9

**Input Voltage:**

100-277V

**Operating Frequency:**

60 Hz

## Technical Specifications (continued)

### Electrical

#### Operating Temperature:

-30°C - 60°C

#### Surge Protection:

4kV

### Installation

#### Installation Method:

UL Type B, Ballast Bypass

#### Burning Position:

Base Up

### Other

#### Equivalency:

400W

### Technology EQ:

Metal Halide or High Pressure Sodium

### Warranty (Years):

The RAB 5-year, limited warranty covers light output, driver performance and paint finish. RAB's warranty is subject to all terms and conditions found at [rablighting.com/warranty](http://rablighting.com/warranty).

### Compliance

#### Safety Listing:

UL Listed, UL Classified

#### Environment/Fixture Rating:

Damp / Enclosed

### IP Rating:

IP64

### DLC:

This product is on the Design Lights Consortium (DLC) Qualified Products List and is eligible for rebates from DLC Member Utilities.

### RoHS:

Mercury and UV free. RoHS-compliant components.

### FCC:

Complies with Part 15 of the FCC Rules

### Model Number:

H10039(HID-115-V-EX39-850-BYP-HB-ECO)

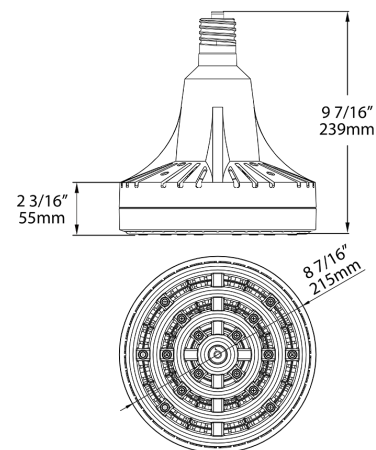
## Minimum Compartment Size

Length x Width x Height [in]	Lamp Quantity
16.9 x 16.9 x 9.9	1

## Case and Pallet Dimensions

	QTY	LENGTH (in)	WIDTH (in)	HEIGHT (in)
CASE	4	0	0	0
PALLET	48	0	0	0

## Dimension



## Light Distribution

