



Replace 100W up to 250W MH lamps for Wall Packs. Water/dust resistant. Uses 76% less energy than MH. 350° rotatable base puts light where you need it.

Color: White

Weight: 1.1 lbs

Project:

Type:

Prepared By:

Date:

Driver Info

LED Info

Watts	20.00W	Input Voltage	100-277V
Color Temp	4000K (Cool White)	Power Factor	>0.9
Lumens	3,100	Flicker	<30%
Efficacy	155 LPW	THDi	N/A
Color Accuracy	80 CRI	R9	
L70 Accuracy	50,000		

Technical Specifications

Technical Specifications

Product Type:

HID

Bulb Shape:

Wall Pack

Wattage:

20W

Wattage Equivalency:

100W HID

Typical Lumen Output:

3100

Efficacy:

155 lm/W

Color Temperature:

4000K Cool White

CRI:

80

Base Type:

EX39

L70 Lifespan:

50,000 hours

Operating Temperature:

-30°C - 60°C

Dimmable:

No

Beam Angle:

180°

Warranty:

5-Year, No-Compromise Warranty

Installation Type:

Type B, Ballast Bypass

Installation Orientation:

Universal Installation

For Use in Emergency Fixtures:

No

For Use Outdoors in Open Fixtures:

No

Electrical Characteristics

Input Voltage:

100-277V

Technical Specifications (continued)

Electrical Characteristics

Power Factor:

>0.9

Operating Frequency:

50 / 60 Hz

Input Current @ 120V:

0.2mA

Flicker:

<30%

THDi:

<20%

Listings

UL Listed:

Yes

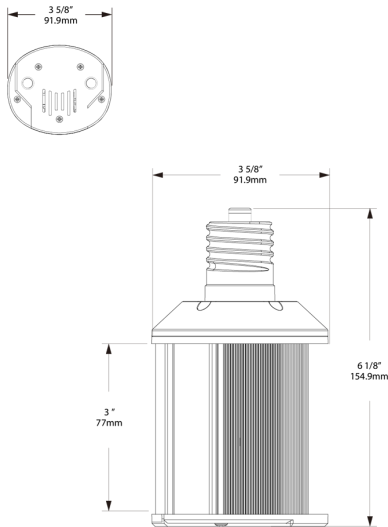
UL Classified:

Yes

CEC Status:

Lawful for sale in California

Dimensions



Features

HID REPLACEMENT - Replace conventional HID lamps

BALLAST BYPASS - Internal driver eliminates the need for external driver or ballast

COMPACT DESIGN - Allows the lamp to fit in most fixtures

INSTALLATION ORIENTATION - Lamps can be installed universally
Base up, down or sideways

HEAT DISSIPATION - Thermal technology extends lifespan

WATER & DUST RESISTANT - Ideal for outdoor fixtures

ENCLOSED FIXTURE RATED - May be used in enclosed and open fixtures

ENERGY SAVINGS - Uses 76% less energy than traditional lamps

MERCURY FREE - Environmentally friendly vs fluorescent technologies

350°; ROTATABLE BASE - Direct light where needed