

HID-20-H-EX39-850-BYP-WP



Replace 100W up to 250W MH lamps for Wall Packs. Water/dust resistant. Uses 76% less energy than MH. 350° rotatable base puts light where you need it.

Color: White

Weight: 1.1 lbs

Project:

Type:

Prepared By:

Date:

Driver Info

Watts 20.00W
Color Temp 5000K (Daylight)
Lumens 3,100
Efficacy 155 LPW
Color Accuracy 80 CRI
L70 Accuracy 50,000

LED Info

Input Voltage 100-277V
Power Factor >0.9
Flicker <30%
THDi N/A
R9

Technical Specifications

Technical Specifications

Product Type:

HID

Bulb Shape:

Wall Pack

Wattage:

20W

Wattage Equivalency:

100W HID

Typical Lumen Output:

3100

Efficacy:

155 lm/W

Color Temperature:

5000K Daylight

CRI:

80

Base Type:

EX39

L70 Lifespan:

50,000 hours

Operating Temperature:

-30°C - 60°C

Dimmable:

No

Beam Angle:

180°

Warranty:

5-Year, No-Compromise Warranty

Installation Type:

Type B, Ballast Bypass

Installation Orientation:

Universal Installation

For Use in Emergency Fixtures:

No

For Use Outdoors in Open Fixtures:

No

Electrical Characteristics

Input Voltage:

100-277V

Technical Specifications (continued)

Electrical Characteristics

Power Factor:

>0.9

Operating Frequency:

50 / 60 Hz

Input Current @ 120V:

0.2mA

Flicker:

<30%

THDi:

<20%

Listings

UL Listed:

Yes

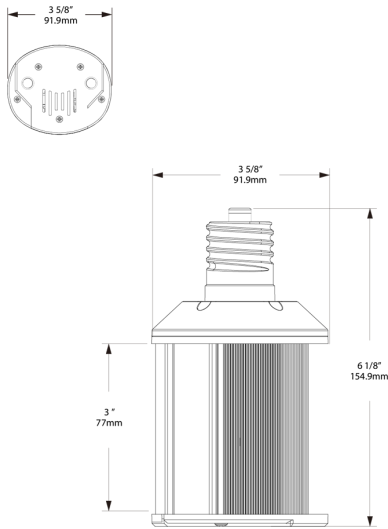
UL Classified:

Yes

CEC Status:

Lawful for sale in California

Dimensions



Features

HID REPLACEMENT - Replace conventional HID lamps

BALLAST BYPASS - Internal driver eliminates the need for external driver or ballast

COMPACT DESIGN - Allows the lamp to fit in most fixtures

INSTALLATION ORIENTATION - Lamps can be installed universally Base up, down or sideways

HEAT DISSIPATION - Thermal technology extends lifespan

WATER & DUST RESISTANT - Ideal for outdoor fixtures

ENCLOSED FIXTURE RATED - May be used in enclosed and open fixtures

ENERGY SAVINGS - Uses 76% less energy than traditional lamps

MERCURY FREE - Environmentally friendly vs fluorescent technologies

350°; ROTATABLE BASE - Direct light where needed