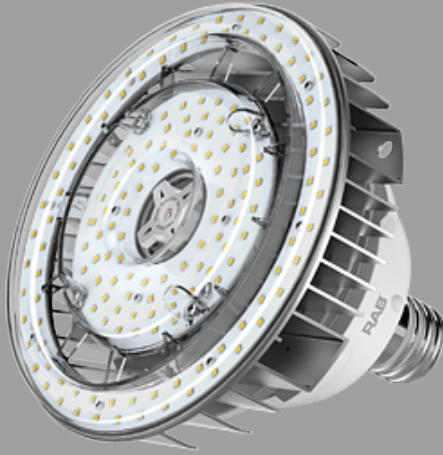


**Project:**

**Type:**

**Prepared By:**

**Date:**



UPC: 19813748887



### Features and Benefits

**HID REPLACEMENT** - Replace conventional HID lamps

**BALLAST BYPASS** - Internal driver eliminates the need for external driver or ballast

**50,000-HOUR LIFESPAN** - Lasts 25x the life of conventional HID lamps

**ENERGY SAVINGS** - Uses 76% less energy than traditional lamps

**HEAT DISSIPATION** - Thermal technology extends lifespan

**WATER & DUST RESISTANT** - Ideal for warehouse applications

**ENCLOSED FIXTURE RATED** - May be used in enclosed and open fixtures

**UPLIGHTING** - Ring of LEDs provides 10% uplighting to eliminate "cave effect"

**MERCURY FREE** - Environmentally friendly

**SURGE PROTECTION** - Includes 4kV surge protection

**SENSOR PORT** - Lamp top has a low-voltage AUX port for lamp level sensor controls - refer to HID replacement accessories for sensor product numbers

### Technical Specifications

Product Type	HID
Bulb Shape	High Bay
Wattage	80W
Wattage Equivalency	250W HID
Typical Lumen Output	10800
Efficacy	135 lm/W
Color Temperature	5000K Daylight
CRI	80
Base Type	EX39
L70 Lifespan	50,000 hours
Operating Temperature	-30°C - 60°C
Dimmable	No
Beam Angle	120°
Warranty	5-Year, No-Compromise Warranty
Installation Type	Type B, Ballast Bypass
Installation Orientation	Vertical
For Use in Emergency Fixtures	No

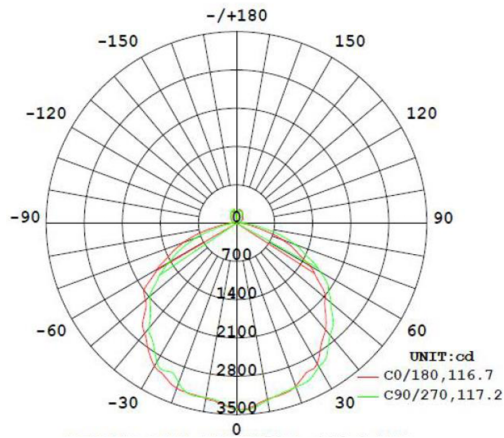
### Electrical Characteristics

Input Voltage	100-277V
Power Factor	>0.9
Operating Frequency	50 / 60 Hz
Input Current @ 120V	0.89mA
Flicker	<30%
THDi	<20%

### Listings

UL Listed	Yes
UL Classified	Yes
DLC Listed	This product is on the Design Lights Consortium (DLC) Qualified Products List and is eligible for rebates from DLC Member Utilities.
DLC Model Number	H20010
DLC Product Code	PD2VPIFE
CEC Status	Lawful for sale in California

## Light Distribution



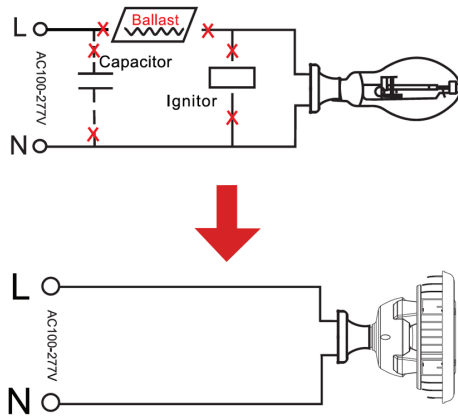
## Minimum Compartment Size

Length x Width x Height [mm]	Lamp Quantity
9.8 x 9.8 x 9.1	1

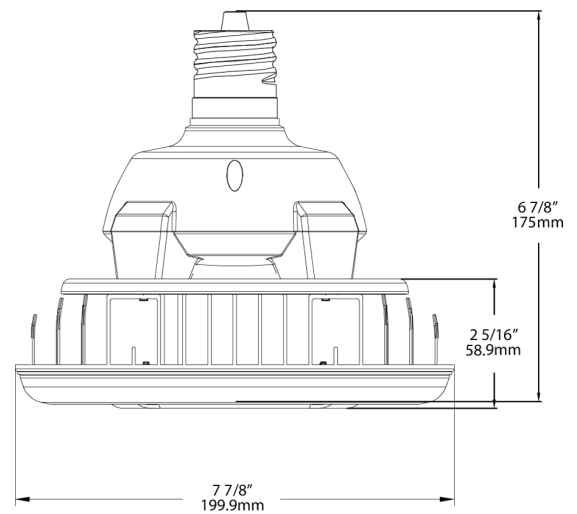
## Case and Pallet Dimensions

	QTY	LENGTH	WIDTH	HEIGHT
CASE	4	17.7	17.7	9.1
PALLET	20	37.4	37.4	40.9

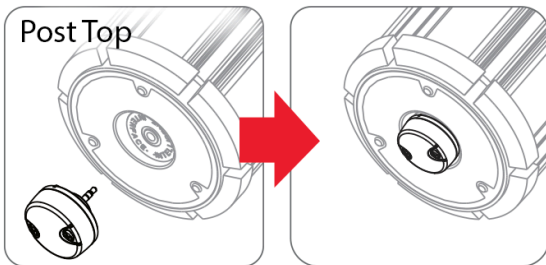
## Wiring Diagram



## Dimension

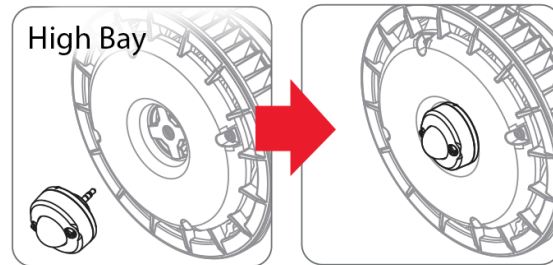


## Sensor Installation



### Compatible with:

HID-80-EX39-8xx-BYP-PT  
 HID-100-EX39-8xx-BYP-PT  
 HID-120-EX39-8xx-BYP-PT



### Compatible with:

HID-60-V-EX39-8xx-BYP-HB  
 HID-80-V-EX39-8xx-BYP-HB  
 HID-115-V-EX39-8xx-BYP-HB