



Easy install. Contemporary look. Surface-mounted KALI™ installs on standard junction boxes.

Color: White

Weight: 0.2 lbs

<b>Project:</b>	<b>Type:</b>
<b>Prepared By:</b>	<b>Date:</b>

Driver Info		LED Info	
Type:	Constant Current	Watts:	10W
120V:	.09A	Color Temp:	2700K
208V:	N/A	Color Accuracy:	91 CRI
240V:	N/A	L70 Lifespan:	50000
277V:	N/A	Lumens:	671
Input Watts:	10W	Efficacy:	68 LPW
Efficiency:	N/A		

## Technical Specifications

### Listings

#### UL Listing:

Suitable for damp locations

#### ENERGY STAR® V2.0:

This product is ENERGY STAR® Version 2.0 Certified.

#### IESNA LM-79 & LM-80 Testing:

RAB LED luminaires have been tested by an independent laboratory in accordance with IESNA LM-79 and LM-80, and have received the Department of Energy "Lighting Facts" label.

### LED Characteristics

#### Lifespan:

50,000-hour LED lifespan based on IES LM-80 results and TM-21 calculations.

#### LEDs:

Long-life, high-efficiency, surface mount LEDs.

#### Replacement:

Replaces 40W Incandescent

#### Color Stability:

LED color temperature is warranted to shift no more than 200K in CCT over a 5 year period.

#### Color Uniformity:

RAB's range of CCT (Correlated Color Temperature) follows the guidelines of the American National Standard for Specifications for the Chromaticity of Solid State Lighting (SSL) Products, ANSI C78.377-2015.

### Electrical

#### Driver:

Constant Current, Class 2, 50/60 Hz, 120V: 0.09A

#### Dimming Driver:

Compatible with ELV and TRIAC dimming at 120V.

#### THD:

20.2% at 120V

#### Power Factor:

96.6% at 120V

### Construction

#### Cold Weather Starting:

The minimum starting temperature is -20°C (-4°F)

#### Maximum Ambient Temperature:

Suitable for use in 40°C (104°F) ambient temperatures

#### Housing:

Post-painted, die formed aluminum

#### Lens:

Toolless, twist-and-lock polycarbonate diffusion lens

#### Mounting:

Mounts to the following junction boxes with mounting screws 3 1/2" on center: 4" octagonal, 2 1/8" deep; 4" round, 2 1/8" deep; 3 1/2" round new construction, 2 3/4" deep; 3 1/2" round remodeler, 2 5/8" deep.

#### Green Technology:

Mercury and UV free. RoHS compliant components. Polyester powder coat finish formulated without the use of VOC or toxic heavy metals.

#### Finish:

Chip and fade-resistant polyester powder coat finish

### Other

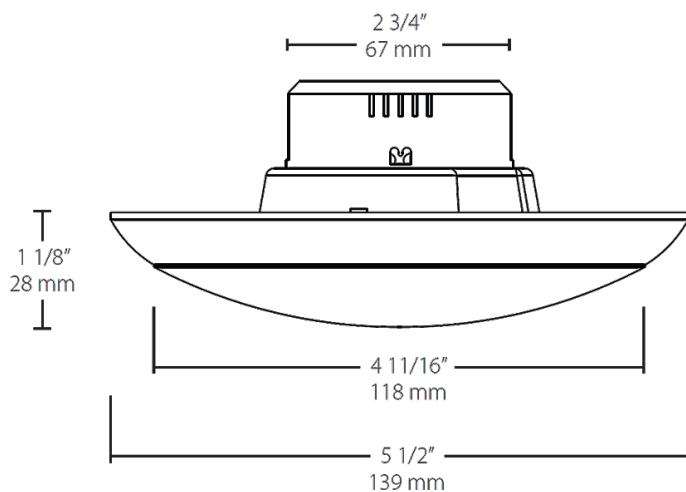
#### Warranty:

RAB warrants that our LED products will be free from defects in materials and workmanship for a period of five (5) years from the date of delivery to the end user, including coverage of light output, color stability, driver performance and fixture finish.

#### Buy American Act Compliance:

RAB values USA manufacturing! Upon request, RAB may be able to manufacture this product to be compliant with the Buy American Act (BAA). Please contact customer service to request a quote for the product to be made BAA compliant.

## Dimensions



## Features

- Quick installation, no housing required
- Reduces energy costs by up to 80%
- TRIAC and ELV dimmable driver
- 5 year warranty

## Ordering Matrix

Family	Size	Shape	Watts	Color Temp	CRI
KLED	4	R	10	YY	HC
	6 = 6" 4 = 4"	R = Round	12 = 12W (6" only) 10 = 10W (4" only)	Y = 3000K (Warm) YY = 2700K (Residential Warm)	HC = High CRI 90