



Easy install. Contemporary look. Surface-mounted KALI™ installs on standard junction boxes.

Color: White

Weight: 0.4 lbs

Project:	Type:
Prepared By:	Date:

Driver Info		LED Info	
Type:	Constant Current	Watts:	12W
120V:	0.11A	Color Temp:	2700K
208V:	N/A	Color Accuracy:	91 CRI
240V:	N/A	L70 Lifespan:	50000
277V:	N/A	Lumens:	943
Input Watts:	12W	Efficacy:	78 LPW
Efficiency:	99%		

Technical Specifications

Listings

UL Listing:

Suitable for damp locations

ENERGY STAR® V2.0:

This product is ENERGY STAR® Version 2.0 Certified.

IESNA LM-79 & LM-80 Testing:

RAB LED luminaires have been tested by an independent laboratory in accordance with IESNA LM-79 and LM-80, and have received the Department of Energy "Lighting Facts" label.

LED Characteristics

Lifespan:

50,000-hour LED lifespan based on IES LM-80 results and TM-21 calculations.

LEDs:

Long-life, high-efficiency, surface mount LEDs.

Replacement:

Replaces 60W Incandescent

Color Stability:

LED color temperature is warranted to shift no more than 200K in CCT over a 5 year period.

Color Uniformity:

RAB's range of CCT (Correlated Color Temperature) follows the guidelines of the American National Standard for Specifications for the Chromaticity of Solid State Lighting (SSL) Products, ANSI C78.377-2015.

Electrical

Driver:

Constant Current, Class 2, 50/60 Hz, 120V: 0.11A

Dimming Driver:

Compatible with ELV and TRIAC dimming at 120V.

THD:

21.1% at 120V

Power Factor:

97.1% at 120V

Construction

Cold Weather Starting:

The minimum starting temperature is -20°C (-4°F)

Maximum Ambient Temperature:

Suitable For use in 40°C (104°F) ambient temperatures

Housing:

Post-painted, die formed aluminum

Lens:

Toolless, twist-and-lock polycarbonate diffusion lens

Mounting:

Mounts to the following junction boxes with mounting screws 3 1/2" on center: 4" octagonal, 2 1/8" deep; 4" round, 2 1/8" deep; 3 1/2" round new construction, 2 3/4" deep; 3 1/2" round remodeler, 2 5/8" deep.

Green Technology:

Mercury and UV free. RoHS compliant components. Polyester powder coat finish formulated without the use of VOC or toxic heavy metals.

Finish:

Chip and fade-resistant polyester powder coat finish

Other

Warranty:

RAB warrants that our LED products will be free from defects in materials and workmanship for a period of five (5) years from the date of delivery to the end user, including coverage of light output, color stability, driver performance and fixture finish.

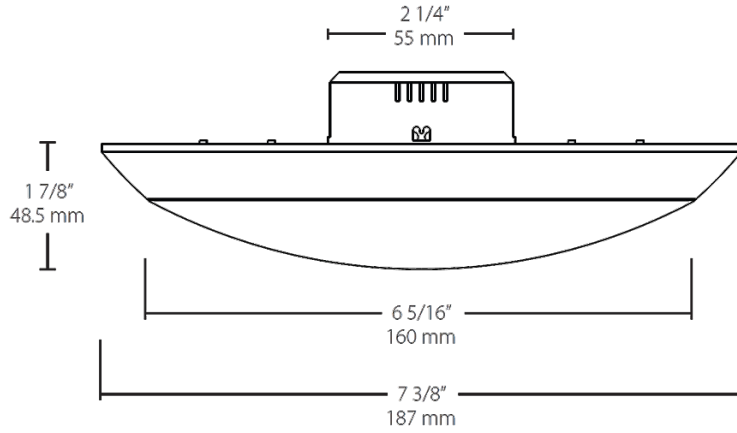
Buy American Act Compliance:

RAB values USA manufacturing! Upon request, RAB may be able to manufacture this product to be compliant with the Buy American Act (BAA). Please contact customer service to request a quote for the product to be made BAA compliant.

KLED6R12YYHC



Dimensions



Features

- Quick installation, no housing required
- Reduces energy costs by up to 80%
- TRIAC and ELV dimmable driver
- 5 year warranty

Ordering Matrix

Family	Size	Shape	Watts	Color Temp	CRI
KLED	6	R	12	YY	HC
	6 = 6" 4 = 4"	R = Round	12 = 12W (6" only) 10 = 10W (4" only)	Y = 3000K (Warm) YY = 2700K (Residential Warm)	HC = High CRI 90