



<b>Project:</b>	<b>Type:</b>
<b>Prepared By:</b>	<b>Date:</b>

Available in four configurations, RAB in-line connectors enable RAB fixtures to be mounted to an assortment of RAB arms. Connectors come in black, white and bronze to match RAB fixtures.

Color: Bronze

Weight: 0.2 lbs

## Technical Specifications

### Electrical

#### Connector:

Inline conduit box connector 90° 1/2" NPS large. Use to connect RAB fixtures to RAB arms for added versatility.

#### Construction

#### Material:

Precision die cast aluminum.

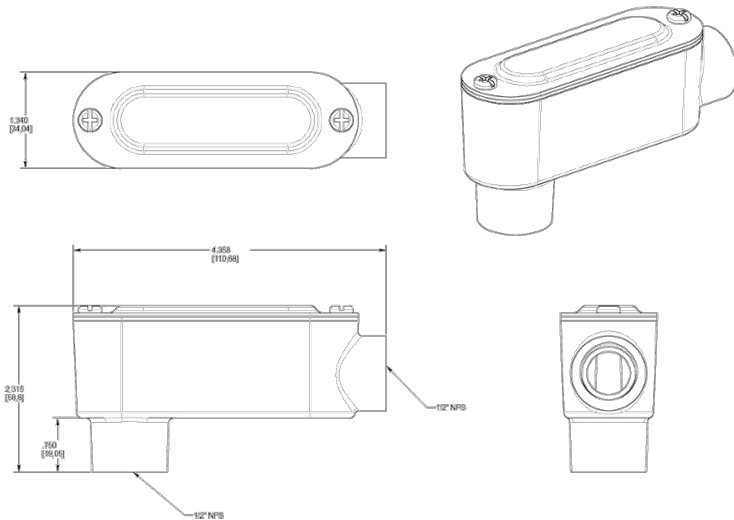
#### Hardware:

Stainless Steel screws

#### Finish:

Our environmentally friendly polyester powder coatings are formulated for high-durability and long-lasting color, and contains no VOC or toxic heavy metals.

## Dimensions



## Features

- Provides a splice box that matches RAB bronze, black or white fixtures
- Use to connect RAB fixtures to RAB arms for added versatility