



Rugged die cast floodlight with heavy mounting arm, lens, glare shield and weatherproof silicone gasket. 75 Watt max., accepts lamp types PAR16, PAR20 and R type. 120 volt Lamp not supplied.

Color: Bronze

Weight: 1.6 lbs

Project:

Type:

Prepared By:

Date:

Lamp Info

Type: PAR20
 Watts: 75W
 Shape/Size: N/A
 Base: N/A
 ANSI: N/A
 Hours: 2,500
 Lamp Lumens: 550
 Efficacy: N/A

Ballast Info

Type: N/A
 120V: N/A
 208V: N/A
 240V: N/A
 277V: N/A
 Input Watts: 0W

Technical Specifications

Listings

UL Listing:

Suitable for wet locations. Suitable for mounting within 1.2m (4ft) of the ground.

Construction

Swivels:

1/2" NPS threaded arm with serrated locking swivel fits all standard mounting boxes. EZ Grip locknuts color matched to fixture.

Housings:

Precision die cast aluminum.

Electrical

Watts:

75

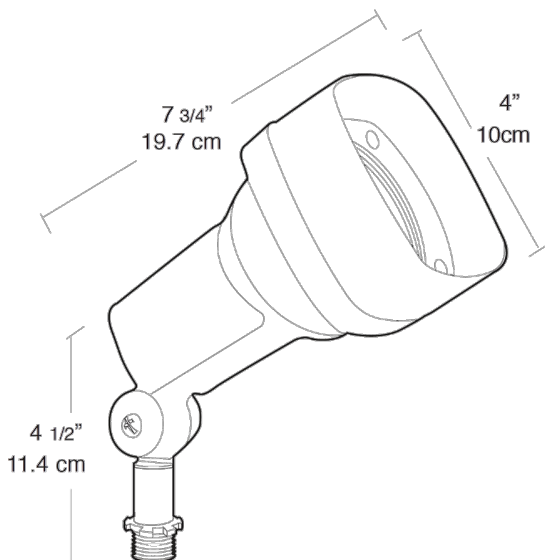
Voltage:

120

Sockets:

Medium base porcelain with all copper current carrying components and spring loaded center contact.

Dimensions



Features

- Rugged die cast aluminum housing with polyester powder coat finish
- Deep Glare Shield
- weatherproof lens and gasket
- "O" Ring seal for full weather protection
- No-rust brass & stainless steel external hardware
- Rugged mounting arm has 1/2" threads and pivots 180
- EZ Grip locknuts are color matched to fixture and can be tightened with fingers, pliers or screwdriver