



Premium PAR38 Flood with large, molded high temperature black silicone gasket that totally seals lamp. Die cast aluminum housing. EZ Locknut. Suitable for mounting within 4' of the ground. PAR38 or PAR20, 150 Watt max. Lamp not supplied.

Color: White

Weight: 0.7 lbs

Project:

Type:

Prepared By:

Date:

Lamp Info

Type: PAR20
 Watts: 150W
 Shape/Size: N/A
 Base: N/A
 ANSI: N/A
 Hours: 2,500
 Lamp Lumens: 550
 Efficacy: N/A

Ballast Info

Type: N/A
 Watts: 120V
 208V: N/A
 240V: N/A
 277V: N/A
 Input Watts: 0W

Technical Specifications

Listings

UL Listing:

Suitable for wet locations.

Electrical

Sockets:

Porcelain with all copper current carrying components and spring loaded center contact.

Construction

Swivels:

Fully adjustable with sure-grip locknuts. 1/2" NPS threaded arm with locking swivel fits all standard mounting covers.

Housings:

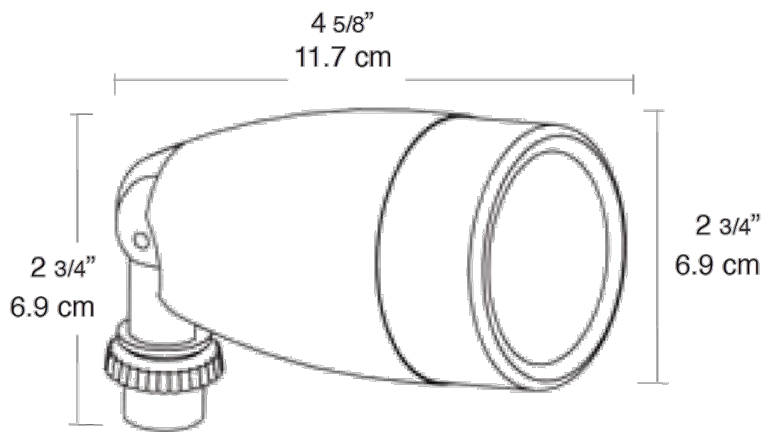
Precision die cast aluminum. Tuffly flood is molded plastic.

Optical

Lamp:

PAR38 or PAR20, 150 watt max. lamp not supplied.

Dimensions



Features

- Molded, high temperature silicone gasket
- EZ Grip locknut matches fixture finish and can be adjusted with fingers, pliers or a screwdriver
- Rugged heavy sand die cast aluminum housing with durable powder coating
- Sockets have all copper current carrying components
- Fully adjustable swivel with sure-grip locks
- Mounting arms have 1/2" threads